



**Double E Cabinets**

806-336-3921  
4206 Hester Road, Amarillo, TX  
doubleecabinets@gmail.com

Serving Amarillo since 2002



# **AFSVA Cannon AFB Temp Lodging Facility Project 17385**



# Contents

## SD-02 Shop Drawings

p 3-21 Standard Unit

p 22-42 Accessible Unit

p-43-48 Employee Break Room

p-49-52 Housekeeping

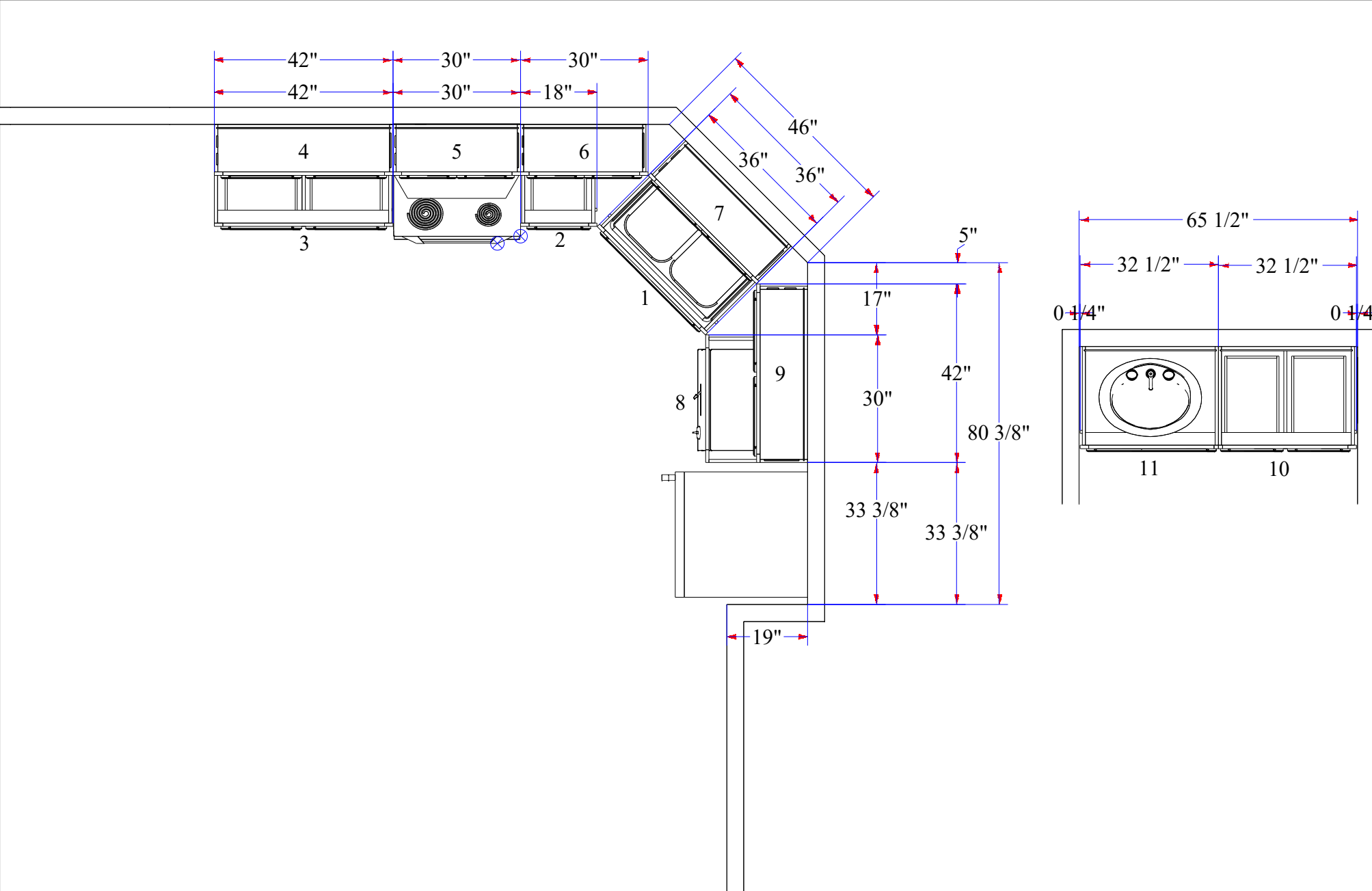
## SD-03 Product Data

p 53-63

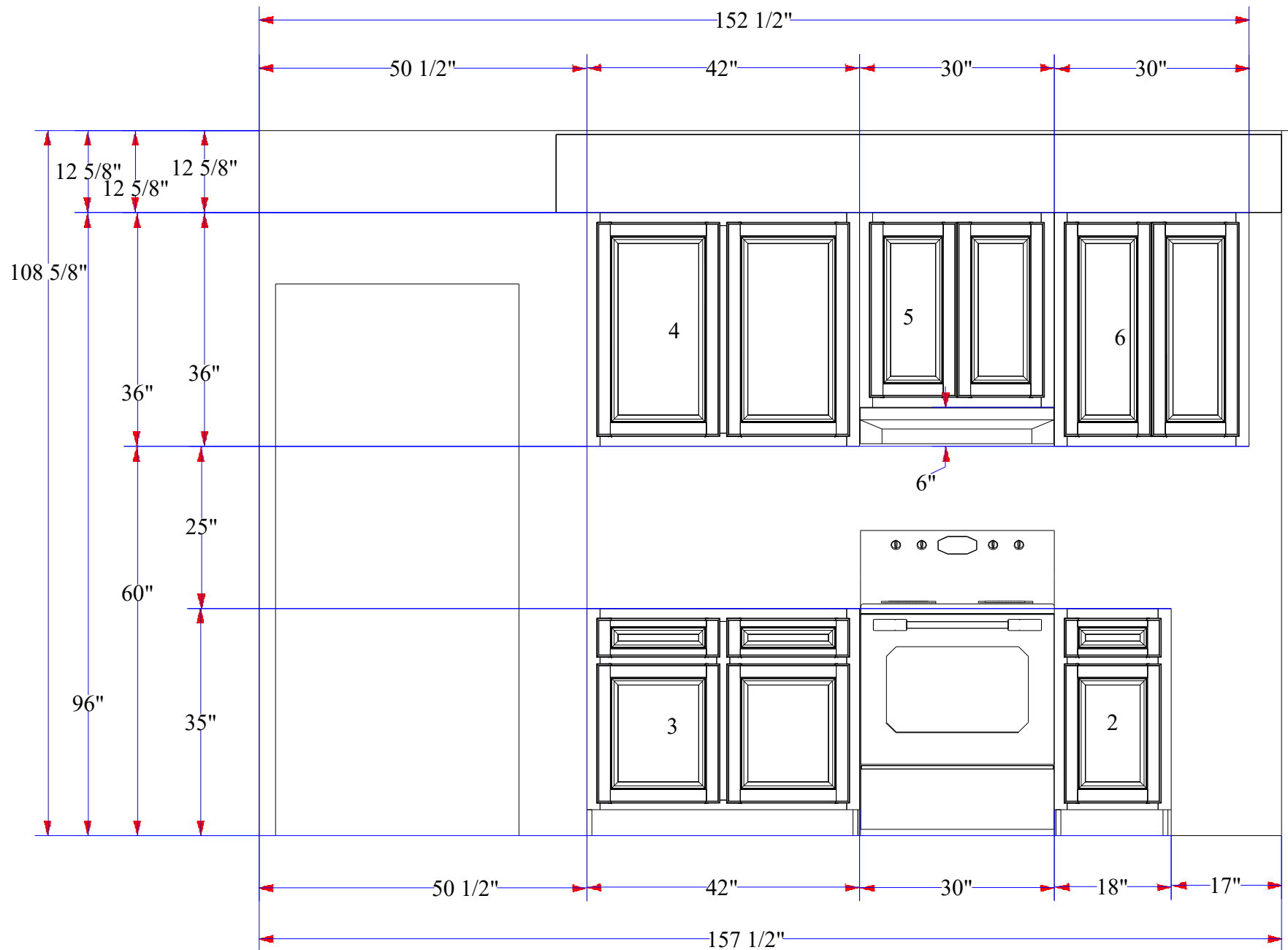
## SD-07 Certificates

p 64-70

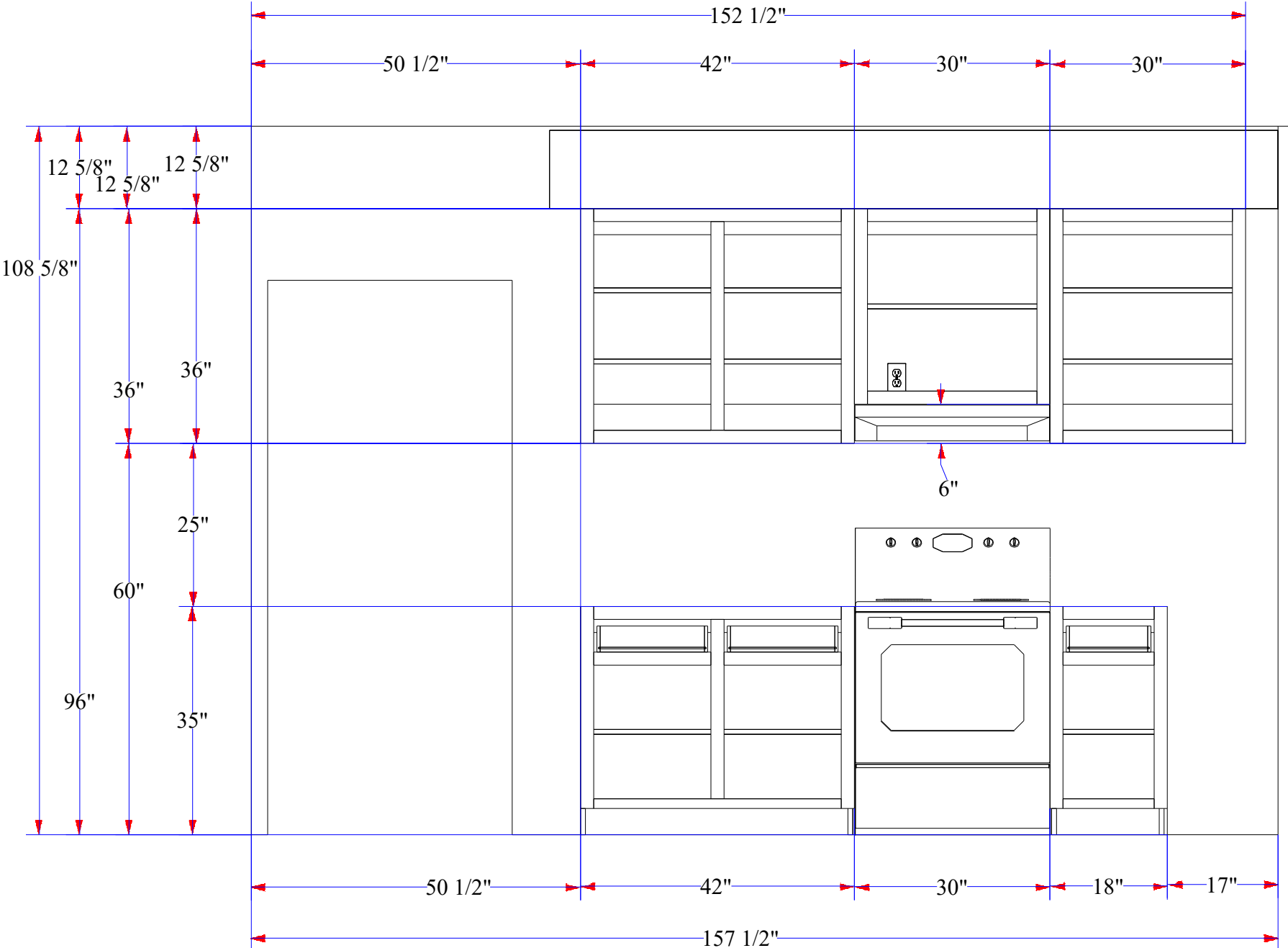
# Standard Unit



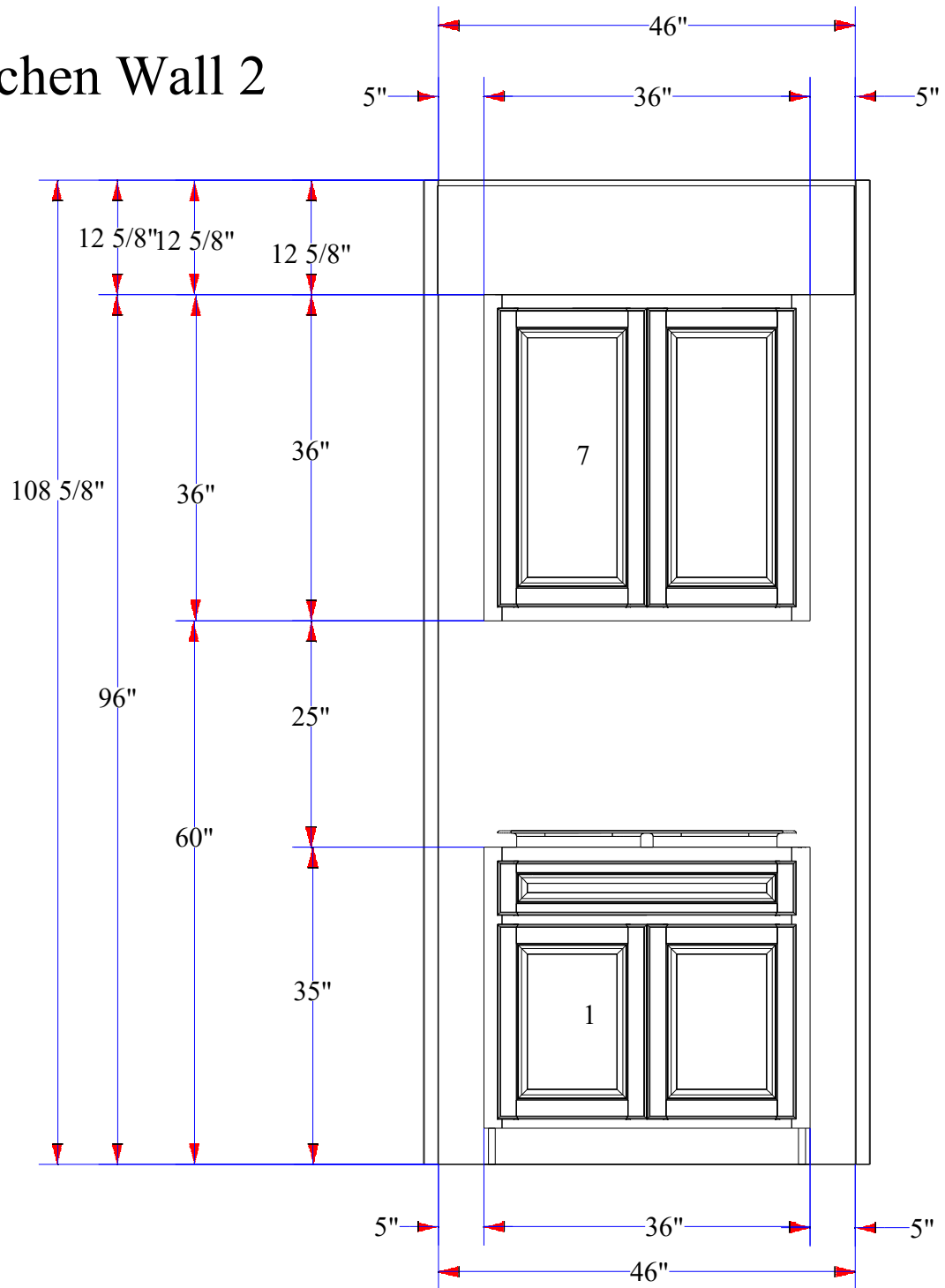
# Standard Unit Kitchen Wall 1



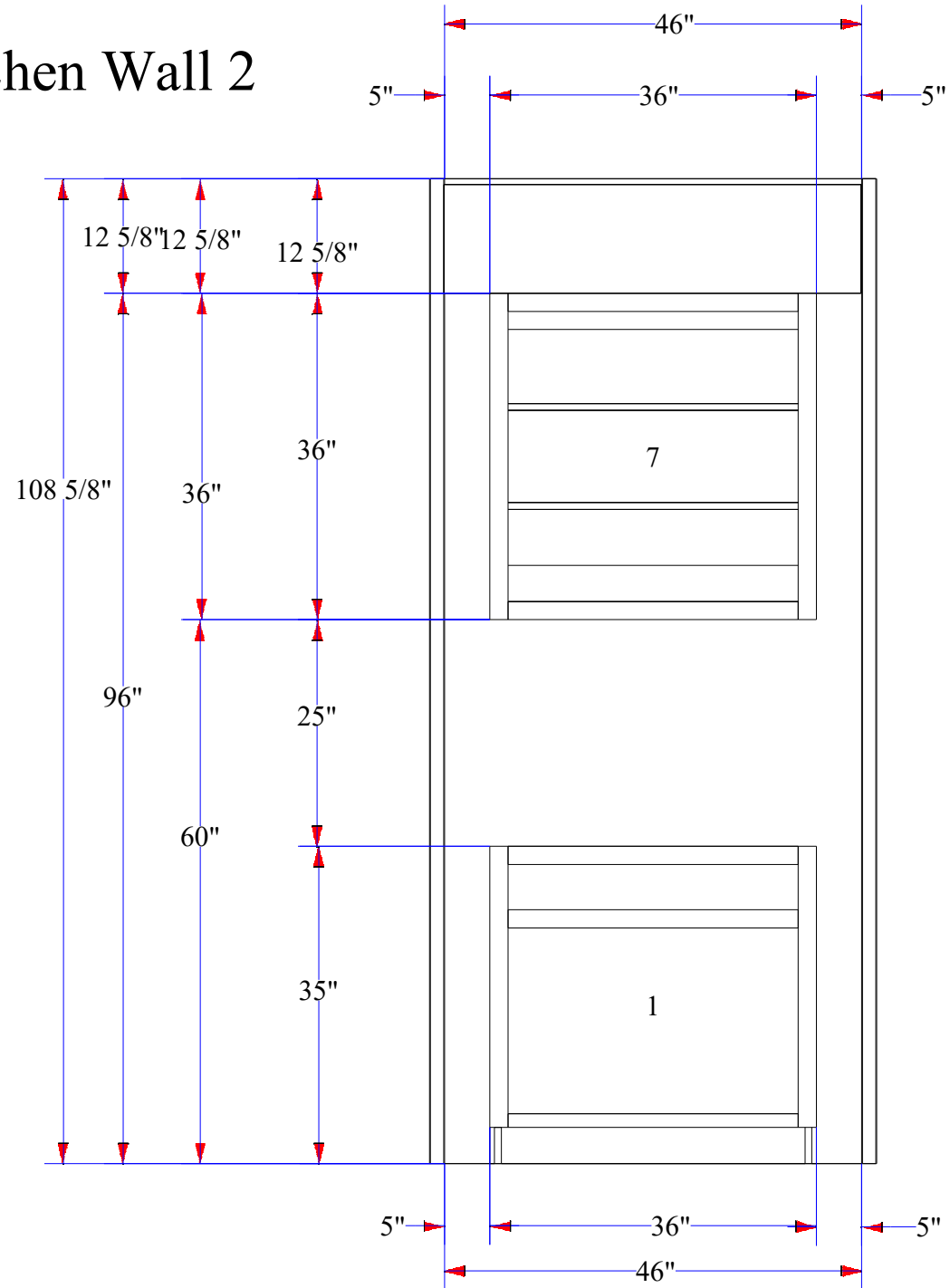
# Standard Unit Kitchen Wall 1



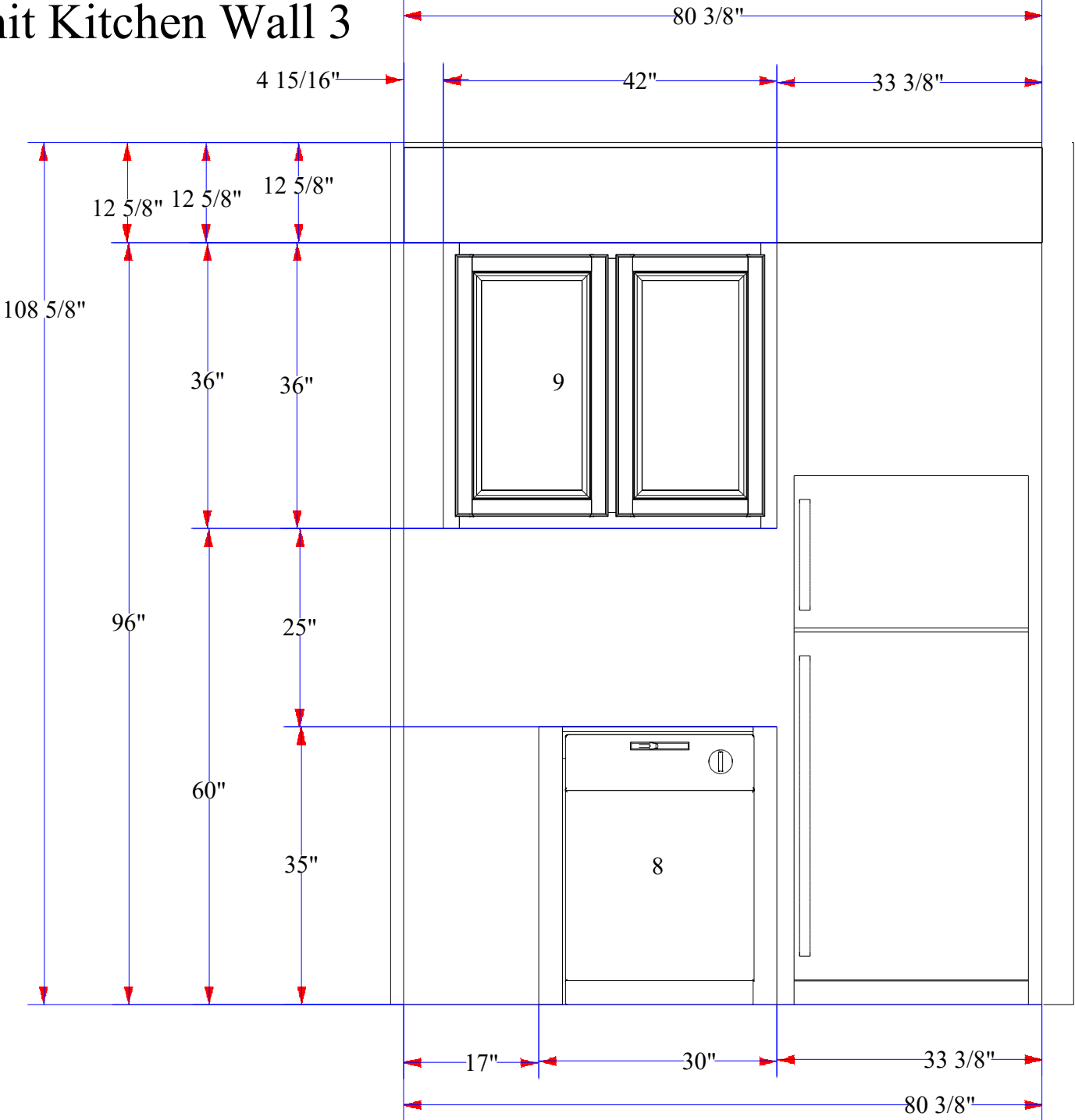
# Standard Unit Kitchen Wall 2



# Standard Unit Kitchen Wall 2

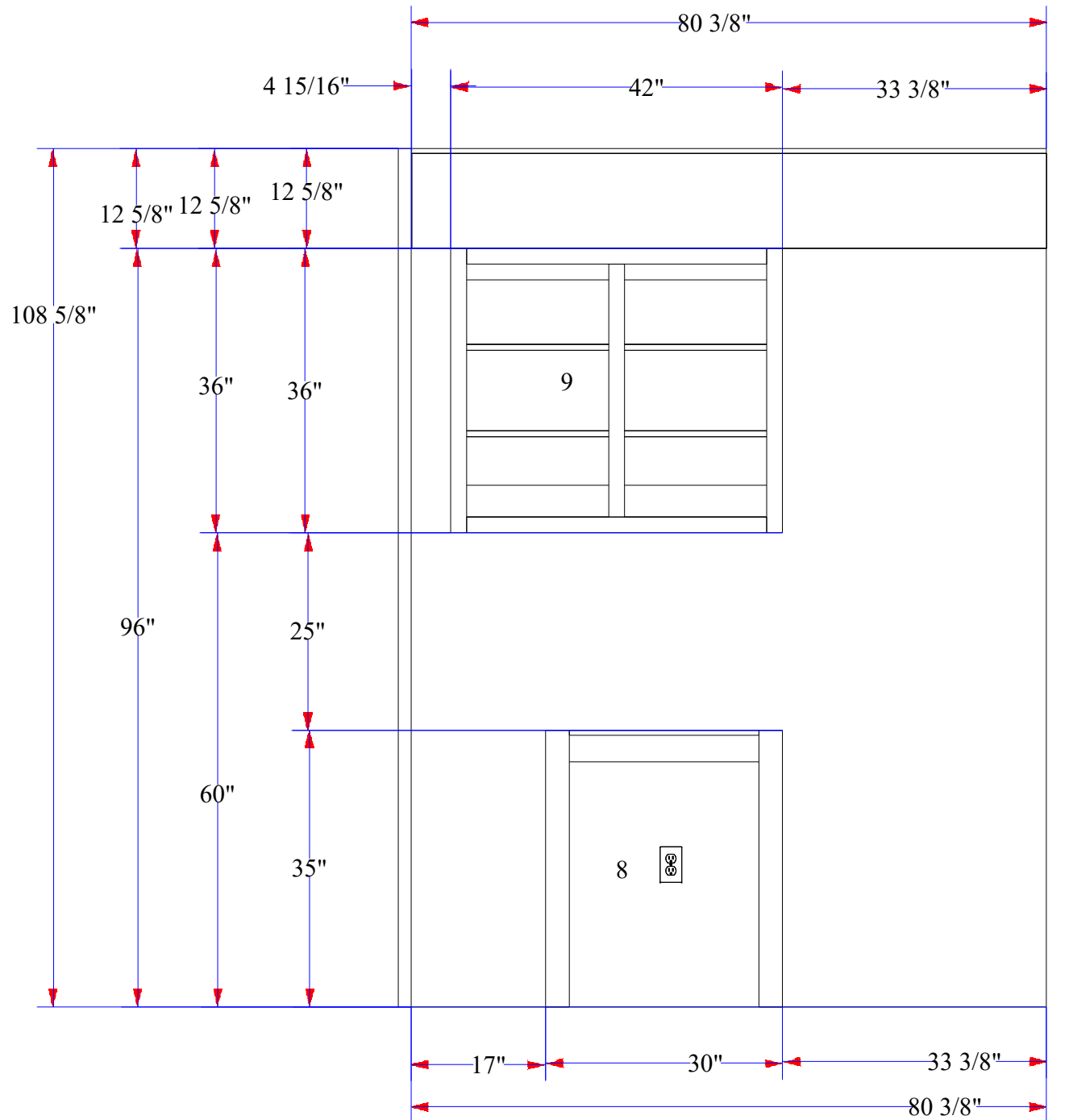


# Standard Unit Kitchen Wall 3

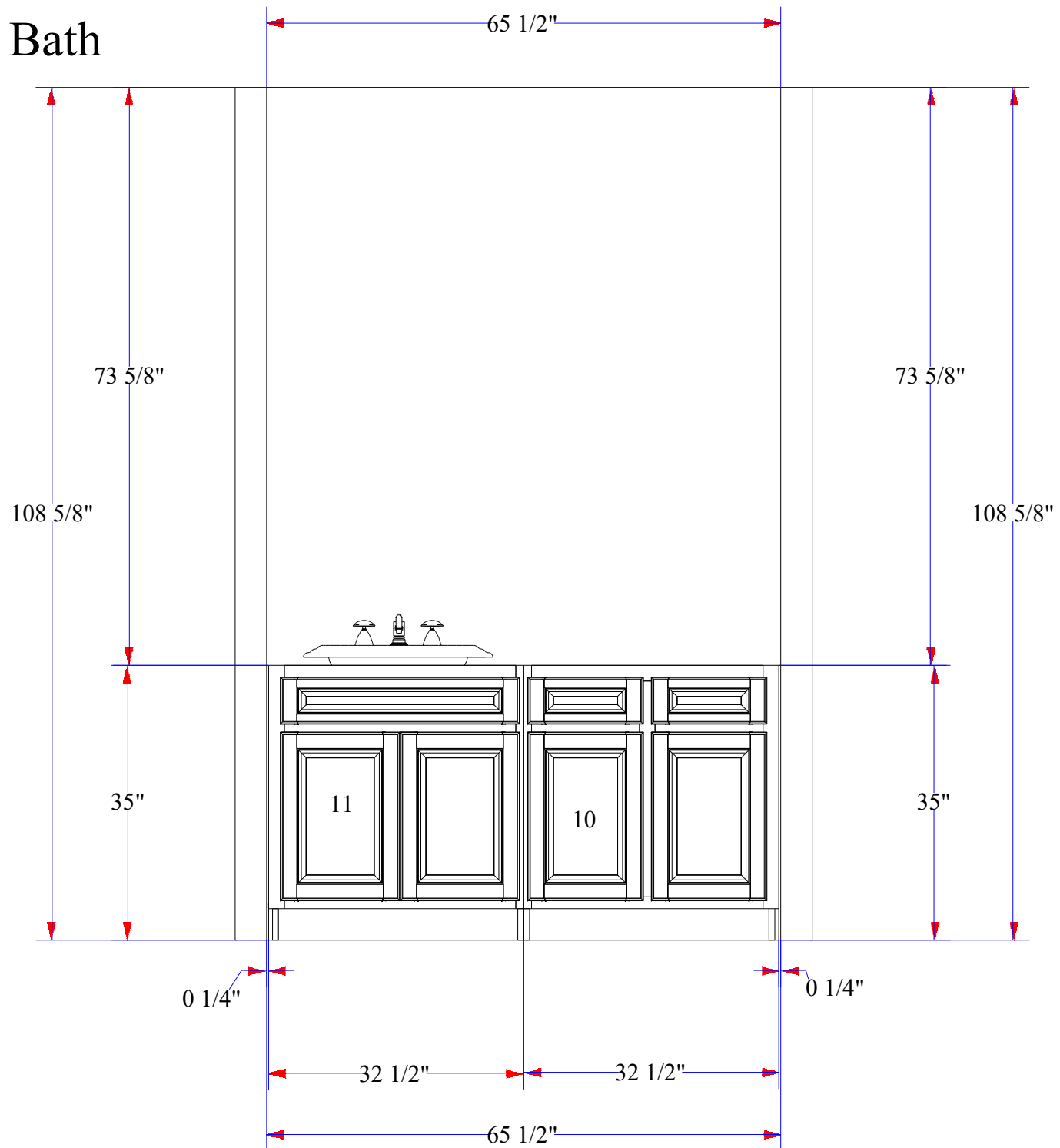




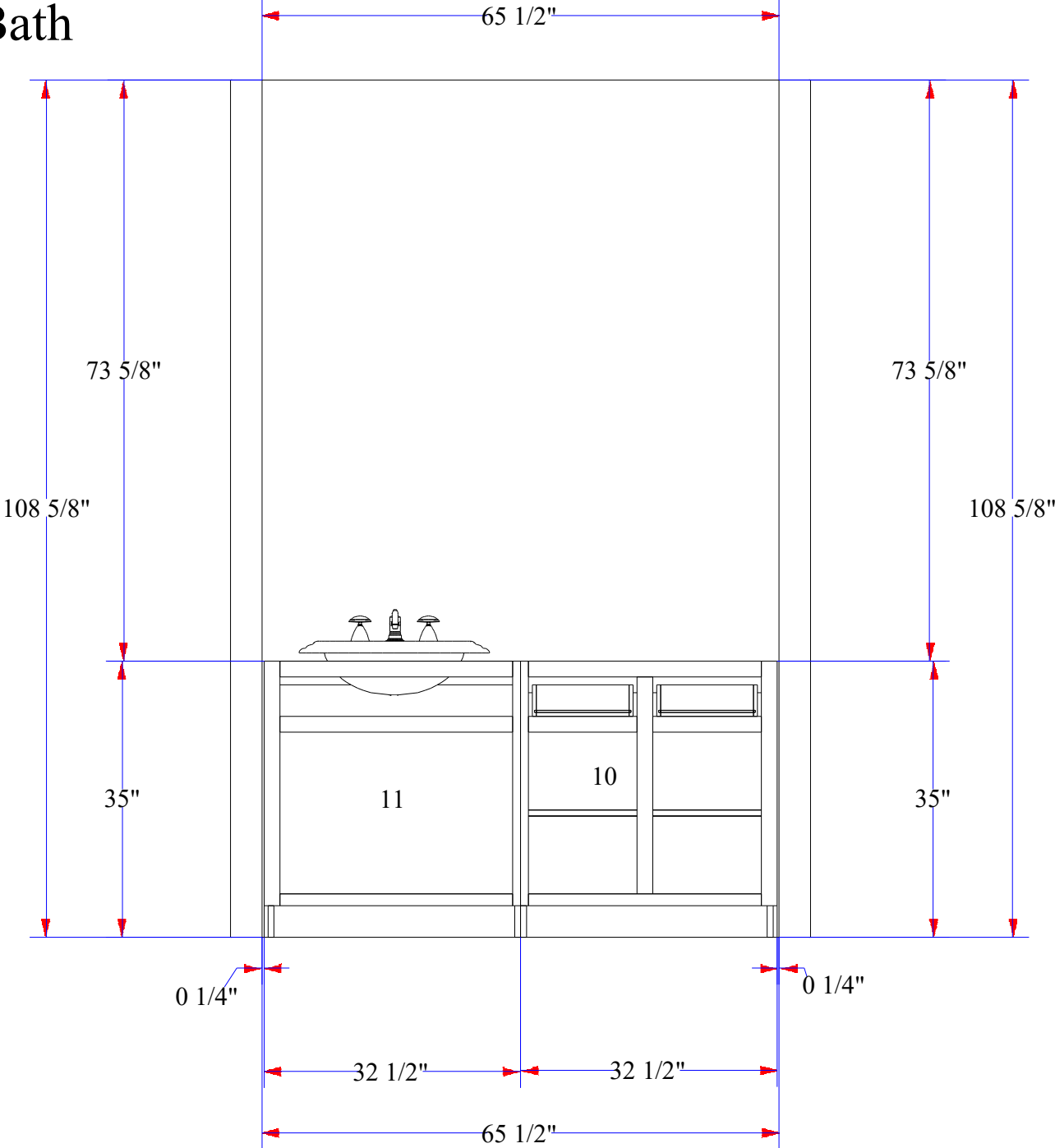
# Standard Unit Kitchen Wall 3



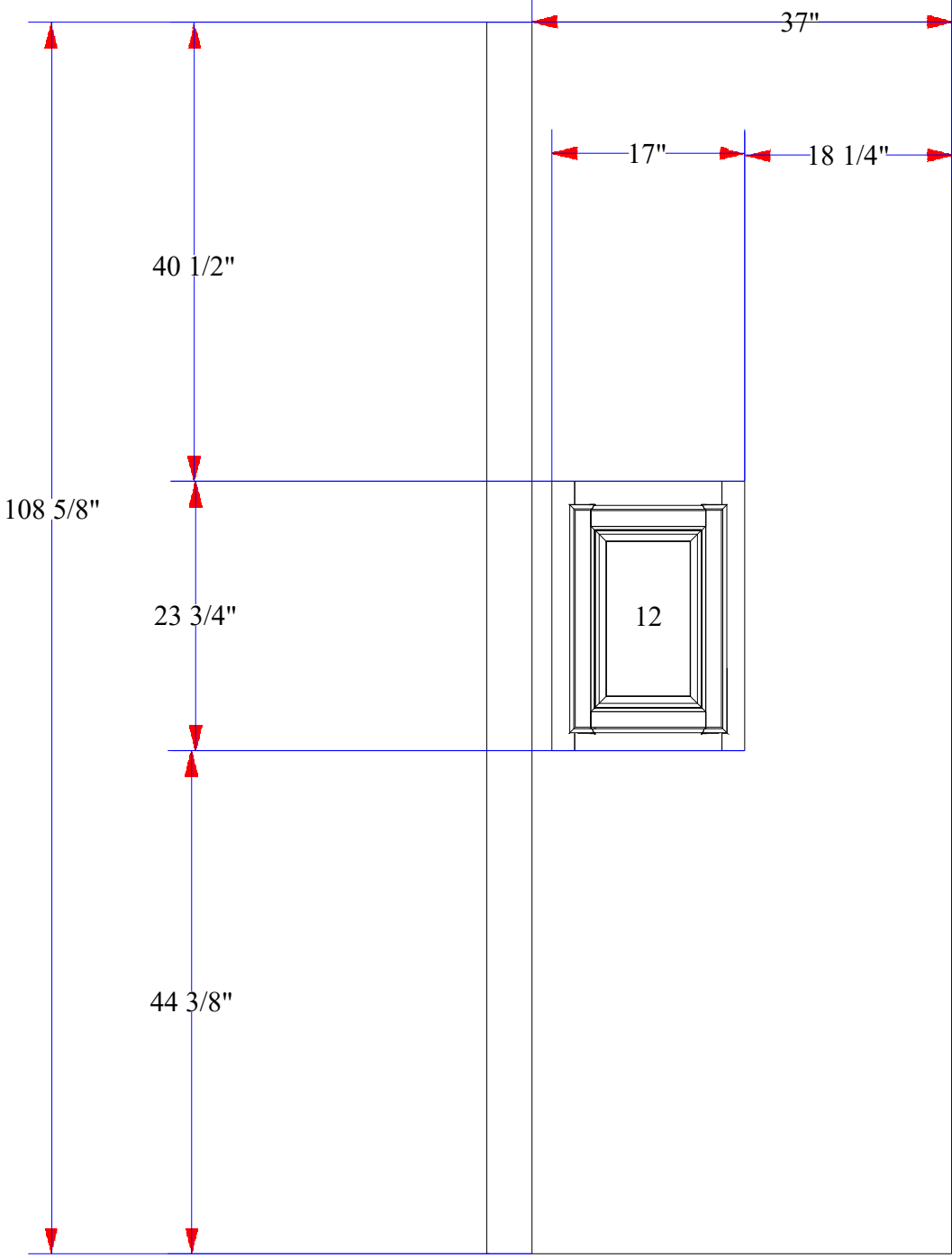
# Standard Unit Bath Wall 1



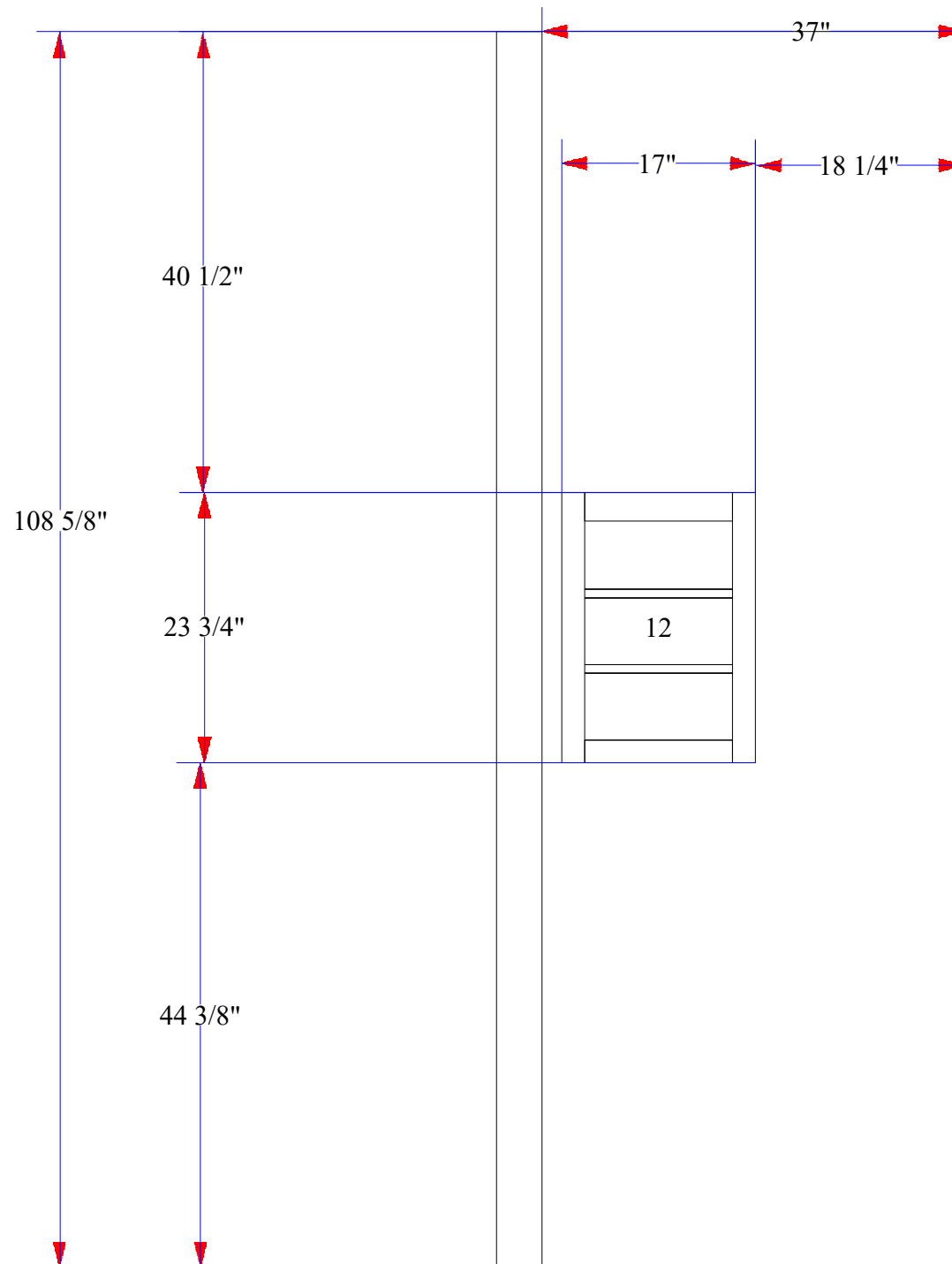
# Standard Unit Bath Wall 1



# Standard Unit Bath Wall 2

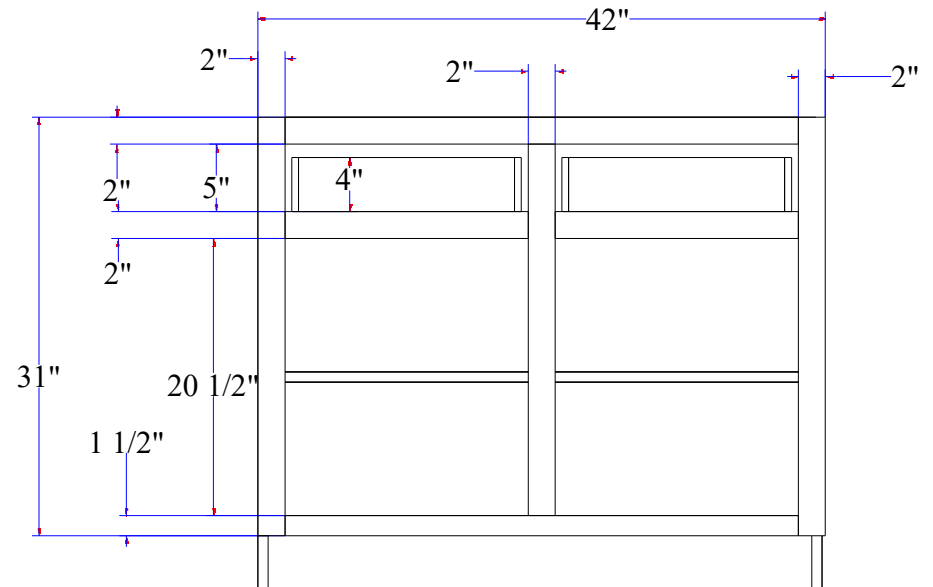
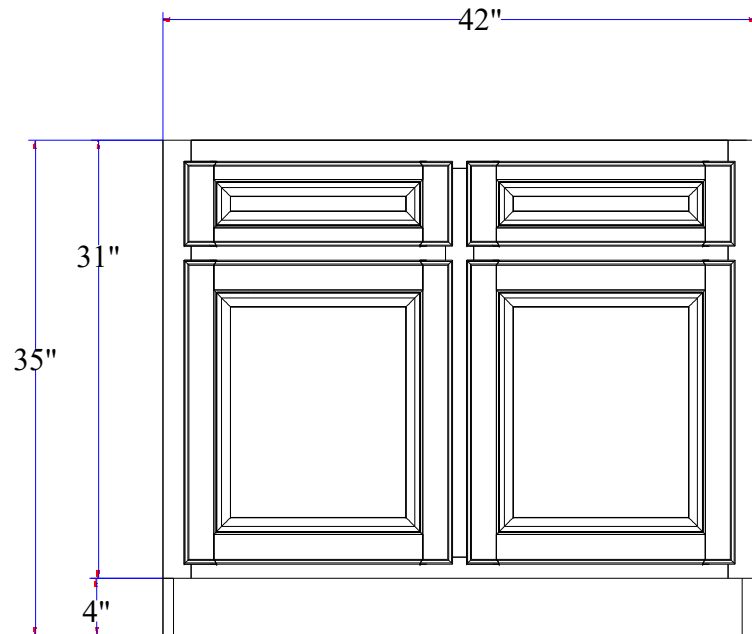
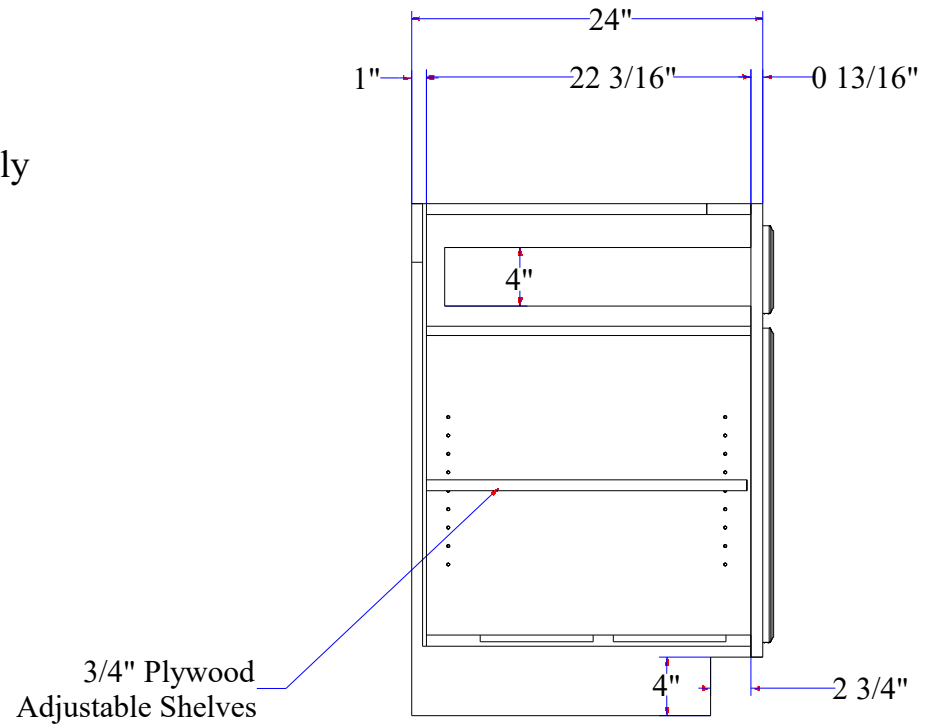


# Standard Unit Bath Wall 2



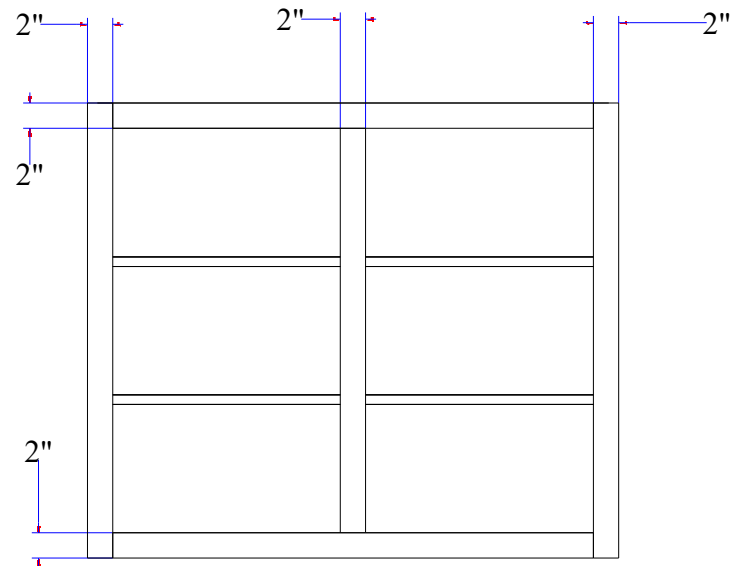
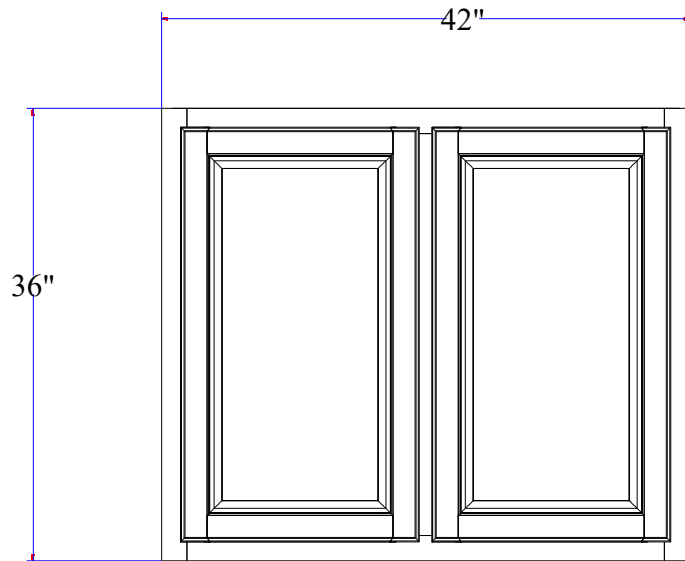
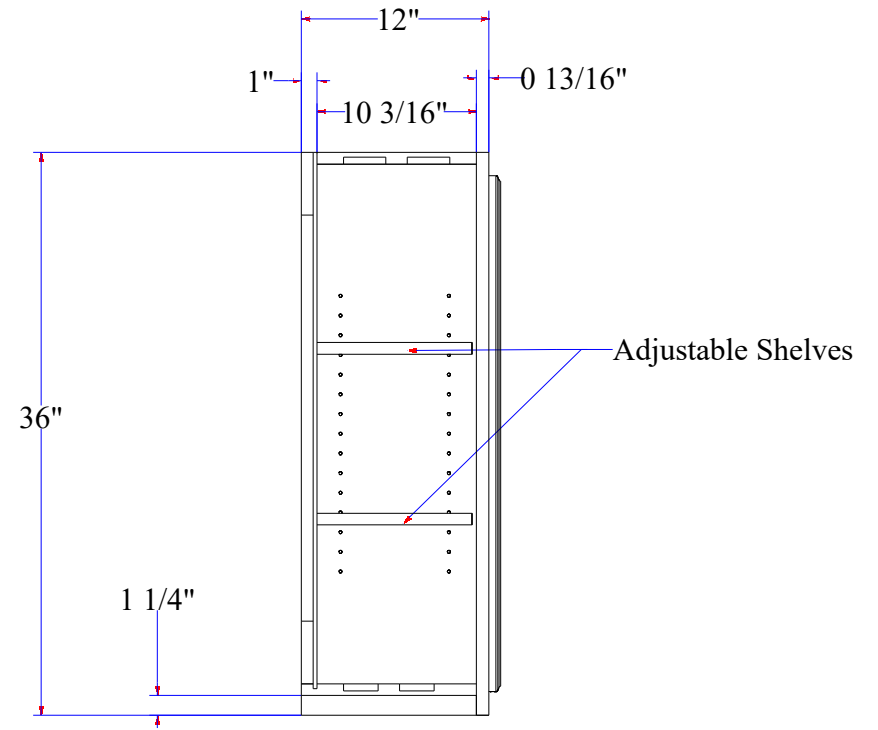
# Typ. Standard Unit Base Cabinet

|                        |                              |
|------------------------|------------------------------|
| Cabinet Box Material   | 3/4" Radiata Pine Plywood    |
| Finished End Material  | 3/4" B-2 R/C V/C Red Oak Ply |
| Cabinet Back Material  | 1/4" MDF                     |
| Drawer Box Material    | 1/2" Baltic Birch Plywood    |
| Drawer Bottom Material | 1/4" MDF                     |
| Face Frame Material    | 4/4 FAS Red Oak              |
| Door Material          | 4/4 FAS Red Oak              |
| Door Hinges            | Salice C2R9A99               |
| Drawer Slides          | Harn 2030 3/4 Extension      |
|                        |                              |



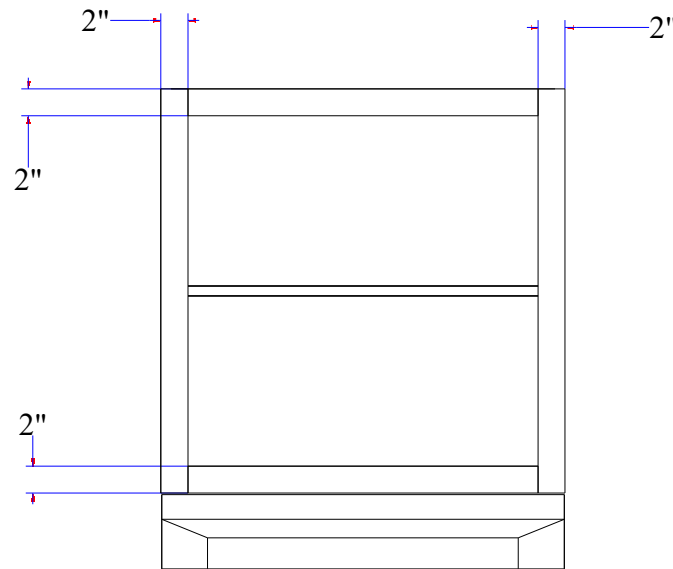
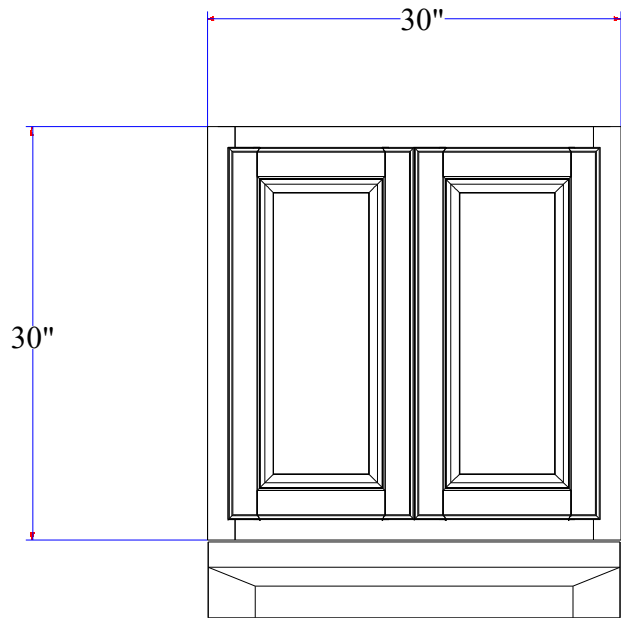
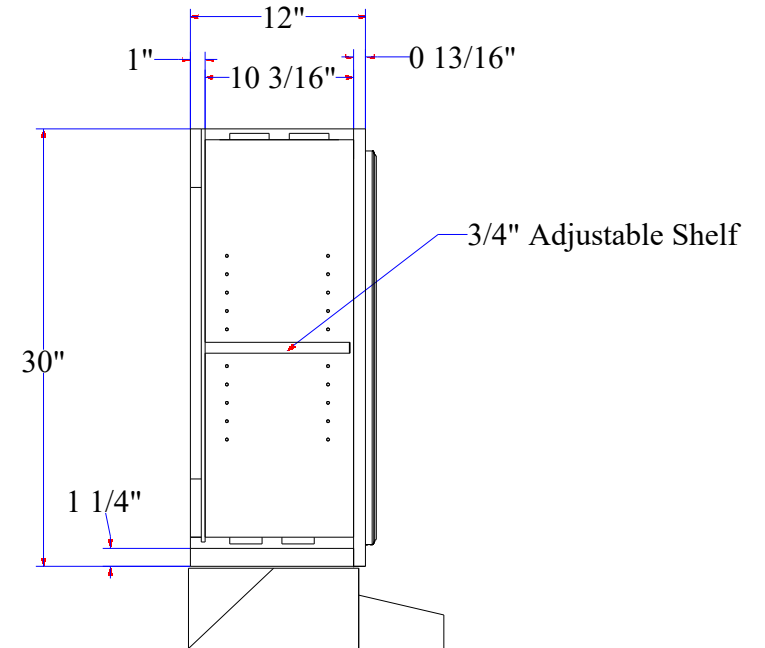
# Typ. Standard Unit Upper Cabinet

|                        |                              |
|------------------------|------------------------------|
| Cabinet Box Material   | 3/4" Radiata Pine Plywood    |
| Finished End Material  | 3/4" B-2 R/C V/C Red Oak Ply |
| Cabinet Back Material  | 1/4" MDF                     |
| Drawer Box Material    | 1/2" Baltic Birch Plywood    |
| Drawer Bottom Material | 1/4" MDF                     |
| Face Frame Material    | 4/4 FAS Red Oak              |
| Door Material          | 4/4 FAS Red Oak              |
| Door Hinges            | Salice C2R9A99               |
|                        |                              |
|                        |                              |



# Typ. Standard Unit Range Hood Upper

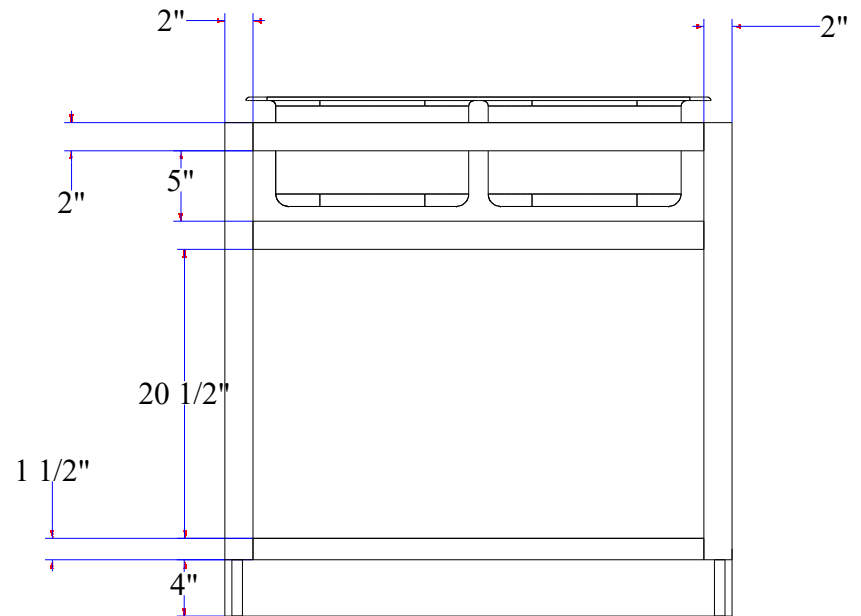
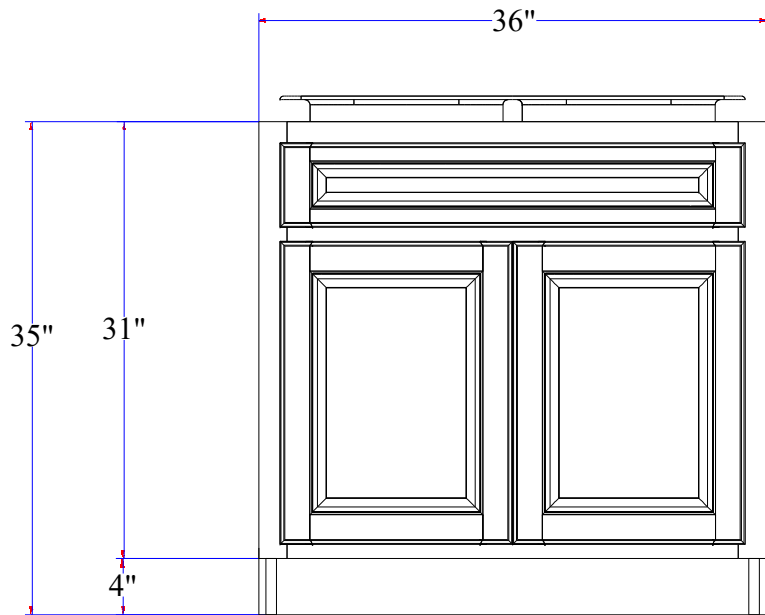
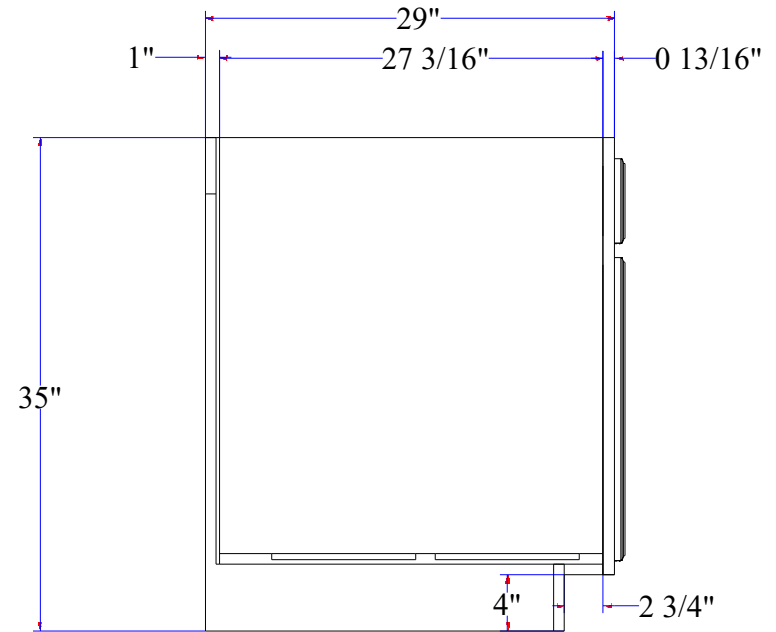
|                        |                              |
|------------------------|------------------------------|
| Cabinet Box Material   | 3/4" Radiata Pine Plywood    |
| Finished End Material  | 3/4" B-2 R/C V/C Red Oak Ply |
| Cabinet Back Material  | 1/4" MDF                     |
| Drawer Box Material    | 1/2" Baltic Birch Plywood    |
| Drawer Bottom Material | 1/4" MDF                     |
| Face Frame Material    | 4/4 FAS Red Oak              |
| Door Material          | 4/4 FAS Red Oak              |
| Door Hinges            | Salice C2R9A99               |
|                        |                              |
|                        |                              |





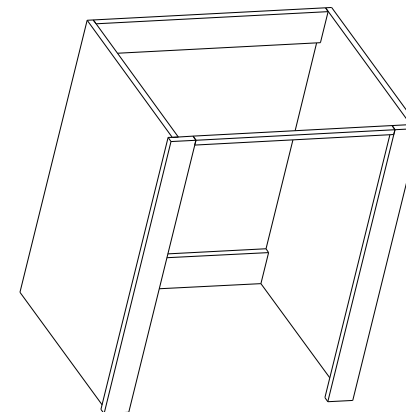
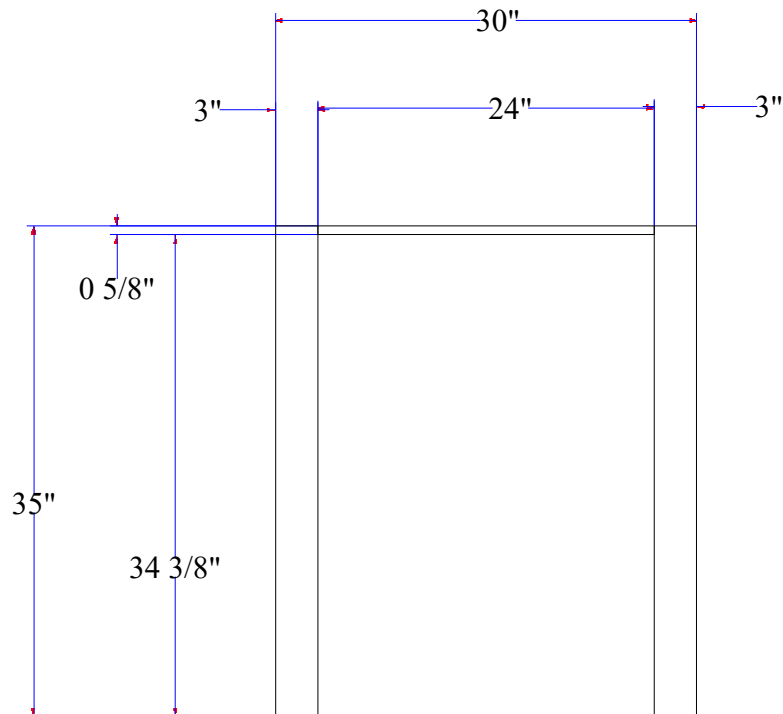
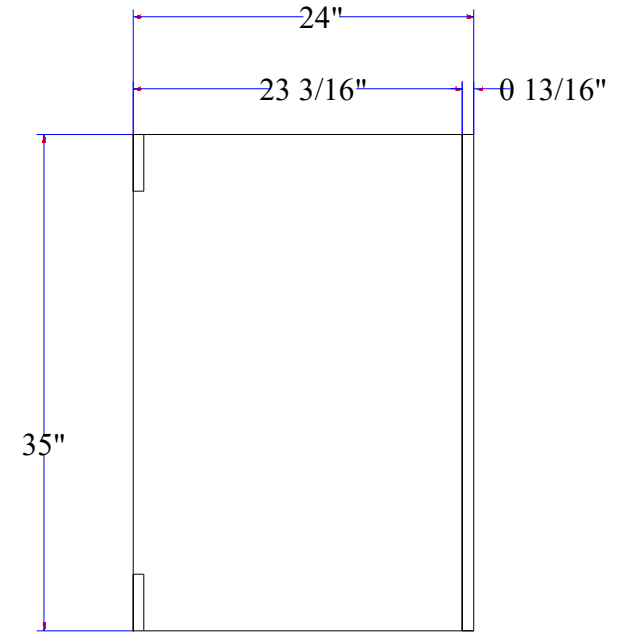
# Typ. Standard Unit Sink Base Cabinet

|                        |                              |
|------------------------|------------------------------|
| Cabinet Box Material   | 3/4" Radiata Pine Plywood    |
| Finished End Material  | 3/4" B-2 R/C V/C Red Oak Ply |
| Cabinet Back Material  | 1/4" MDF                     |
| Drawer Box Material    | 1/2" Baltic Birch Plywood    |
| Drawer Bottom Material | 1/4" MDF                     |
| Face Frame Material    | 4/4 FAS Red Oak              |
| Door Material          | 4/4 FAS Red Oak              |
| Door Hinges            | Salice C2R9A99               |
|                        |                              |
|                        |                              |



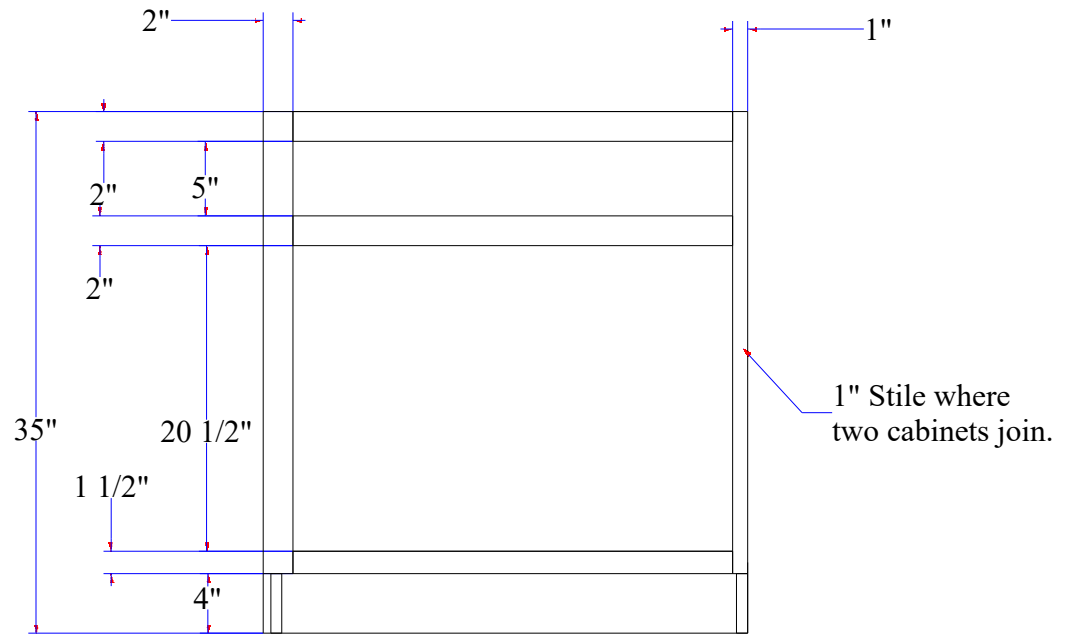
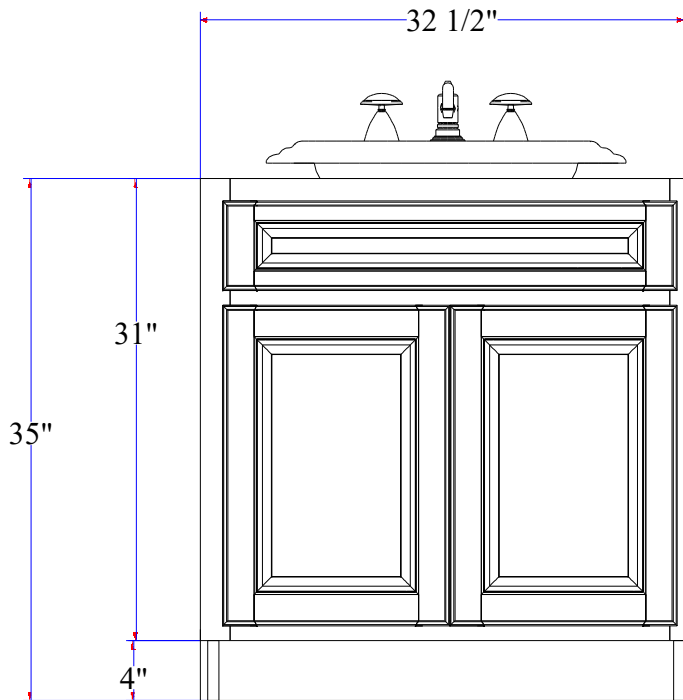
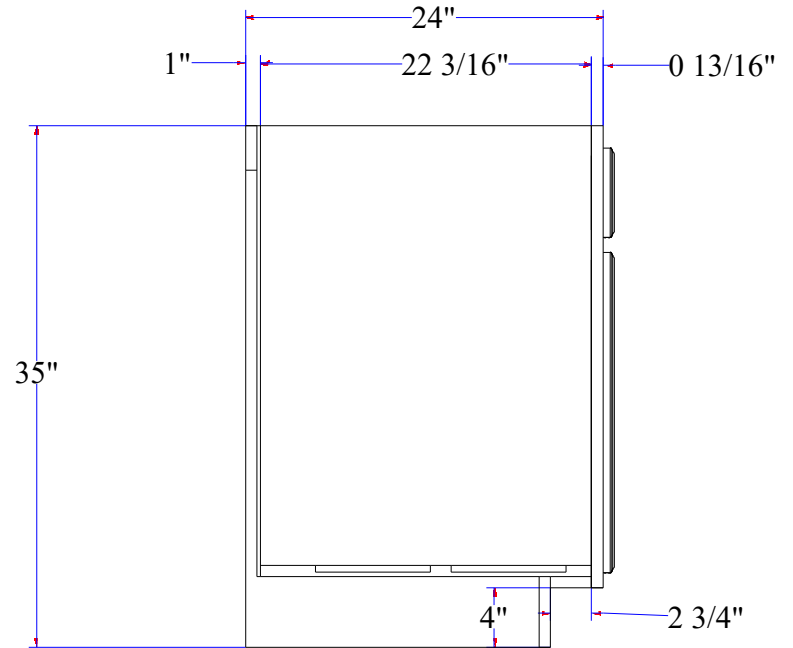
# Typ. Standard Unit Dishwasher Base

|                        |                              |
|------------------------|------------------------------|
| Cabinet Box Material   | 3/4" Radiata Pine Plywood    |
| Finished End Material  | 3/4" B-2 R/C V/C Red Oak Ply |
| Cabinet Back Material  | 1/4" MDF                     |
| Drawer Box Material    | 1/2" Baltic Birch Plywood    |
| Drawer Bottom Material | 1/4" MDF                     |
| Face Frame Material    | 4/4 FAS Red Oak              |
| Door Material          | 4/4 FAS Red Oak              |
|                        |                              |
|                        |                              |
|                        |                              |



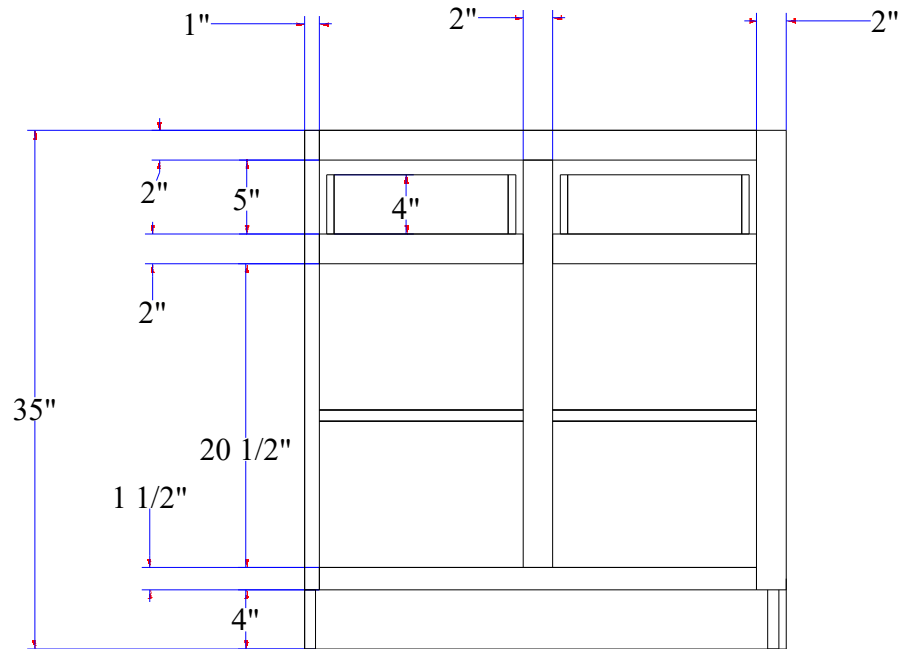
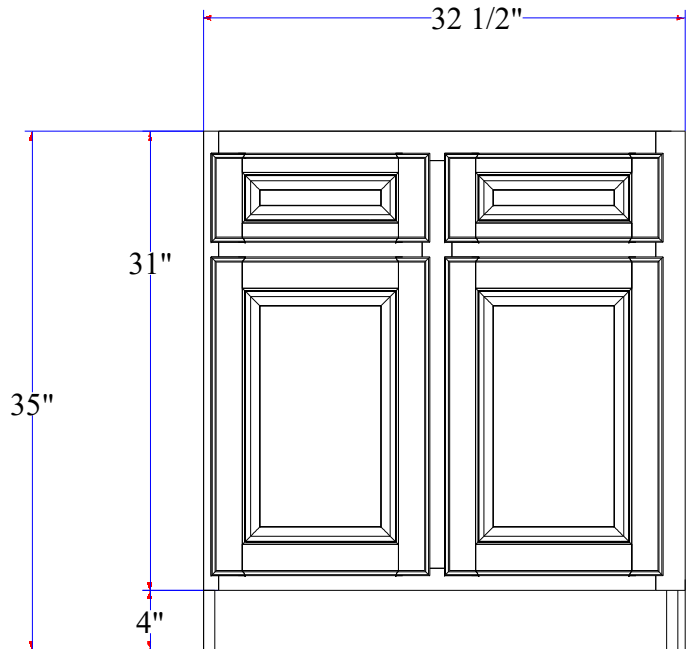
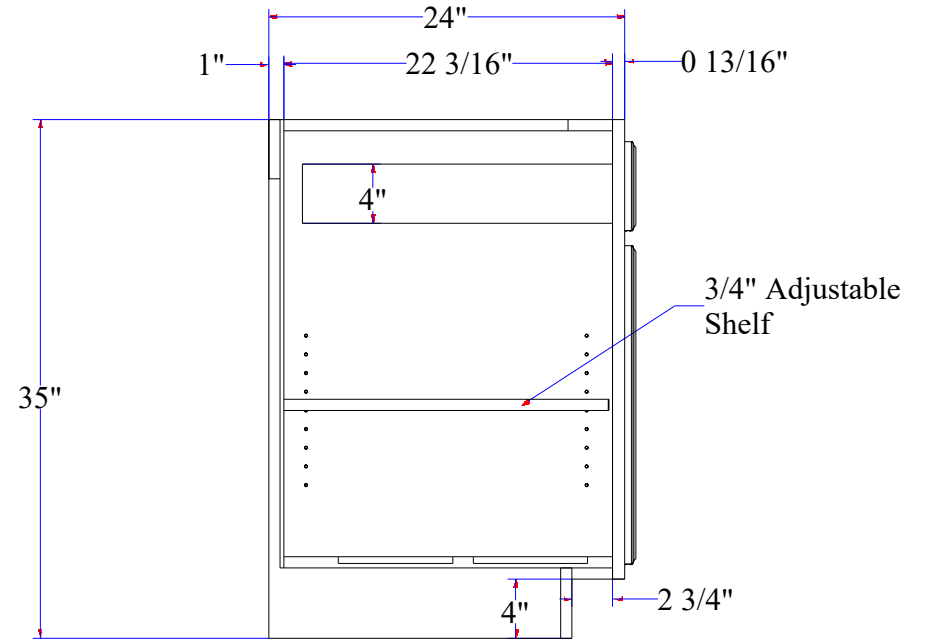
# Typ. Standard Unit Vanity Sink Base

|                        |                              |
|------------------------|------------------------------|
| Cabinet Box Material   | 3/4" Radiata Pine Plywood    |
| Finished End Material  | 3/4" B-2 R/C V/C Red Oak Ply |
| Cabinet Back Material  | 1/4" MDF                     |
| Drawer Box Material    | 1/2" Baltic Birch Plywood    |
| Drawer Bottom Material | 1/4" MDF                     |
| Face Frame Material    | 4/4 FAS Red Oak              |
| Door Material          | 4/4 FAS Red Oak              |
| Door Hinges            | Salice C2R9A99               |
|                        |                              |
|                        |                              |



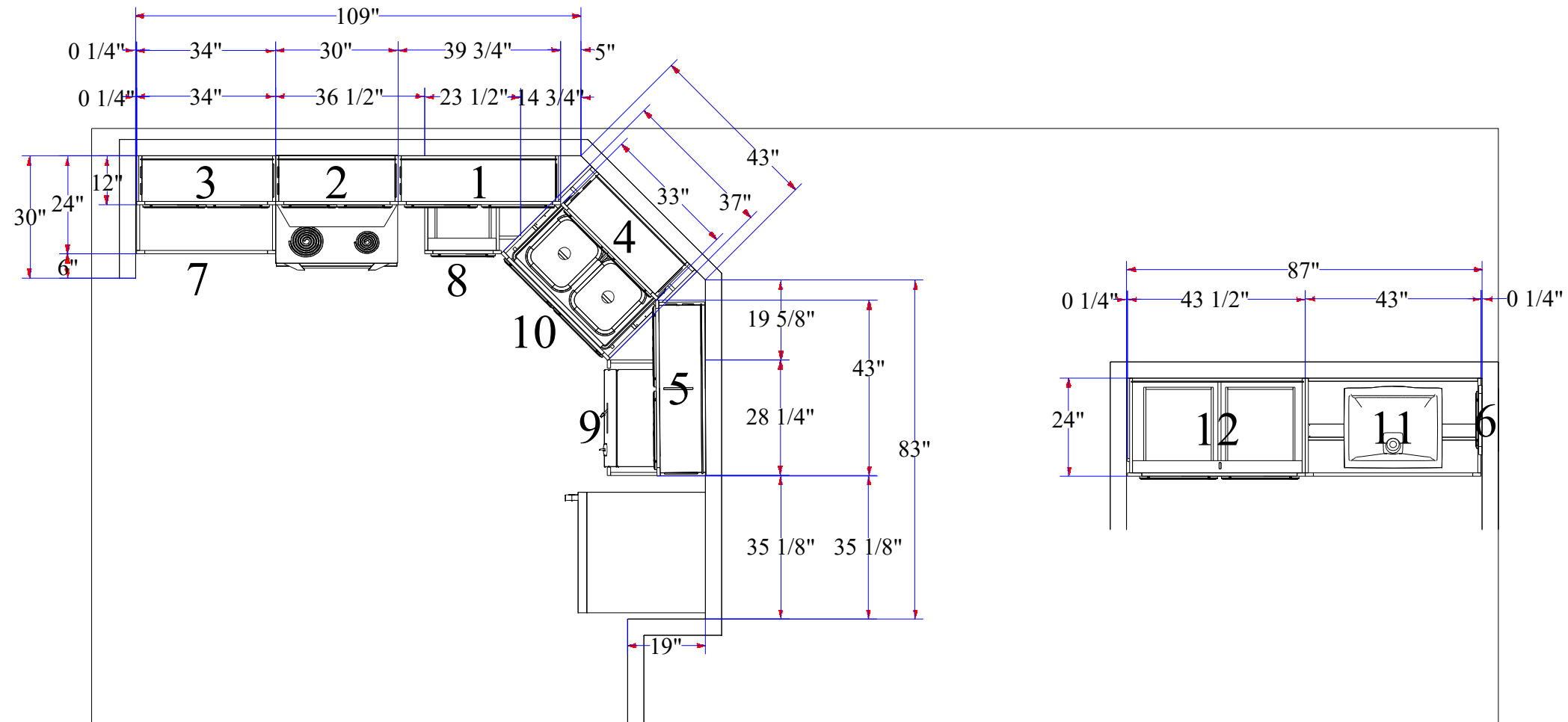
# Typ. Standard Unit Vanity Base

|                        |                              |
|------------------------|------------------------------|
| Cabinet Box Material   | 3/4" Radiata Pine Plywood    |
| Finished End Material  | 3/4" B-2 R/C V/C Red Oak Ply |
| Cabinet Back Material  | 1/4" MDF                     |
| Drawer Box Material    | 1/2" Baltic Birch Plywood    |
| Drawer Bottom Material | 1/4" MDF                     |
| Face Frame Material    | 4/4 FAS Red Oak              |
| Door Material          | 4/4 FAS Red Oak              |
| Door Hinges            | Salice C2R9A99               |
| Drawer Slides          | Harn 2030 3/4 Extension      |
|                        |                              |

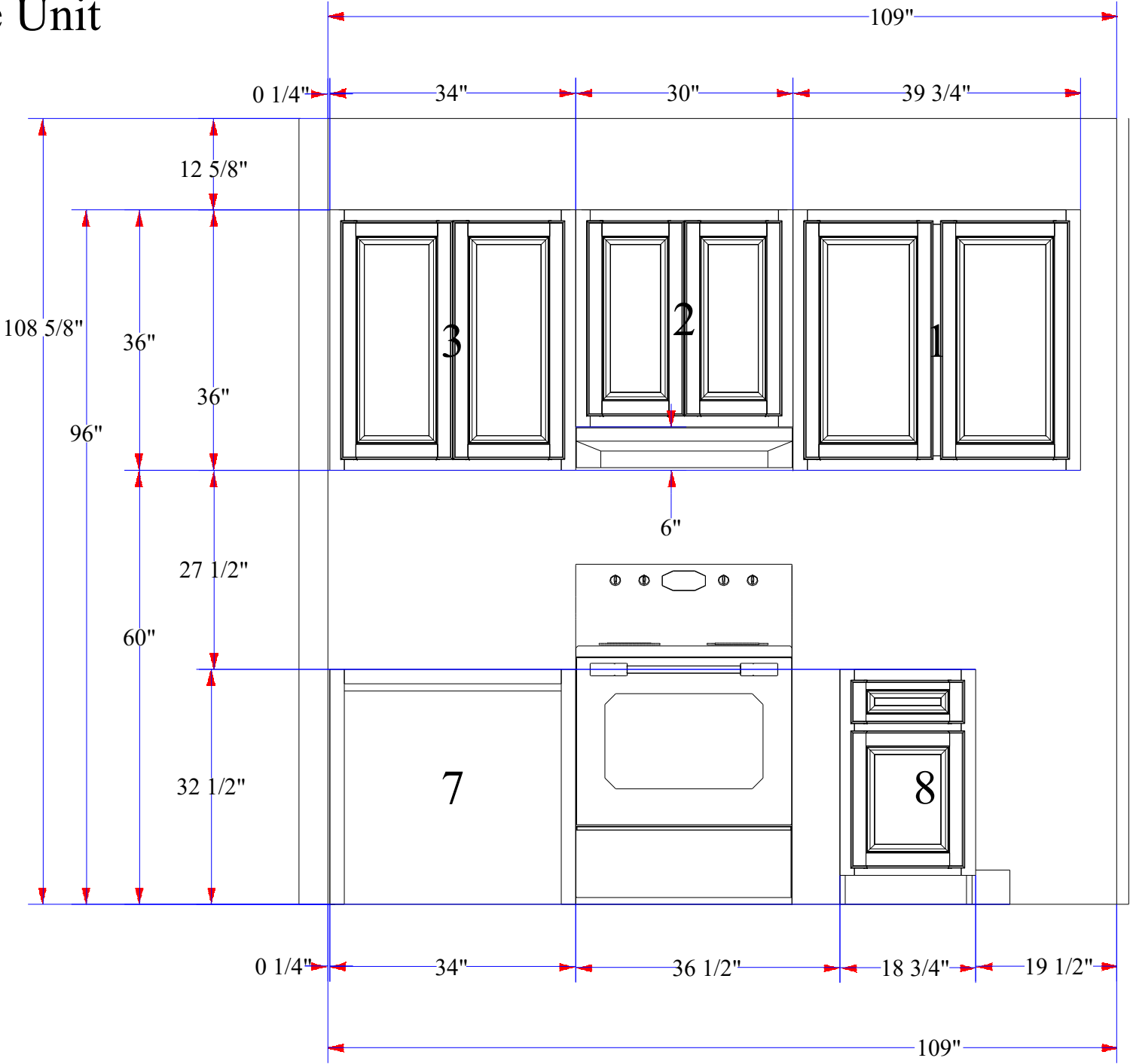




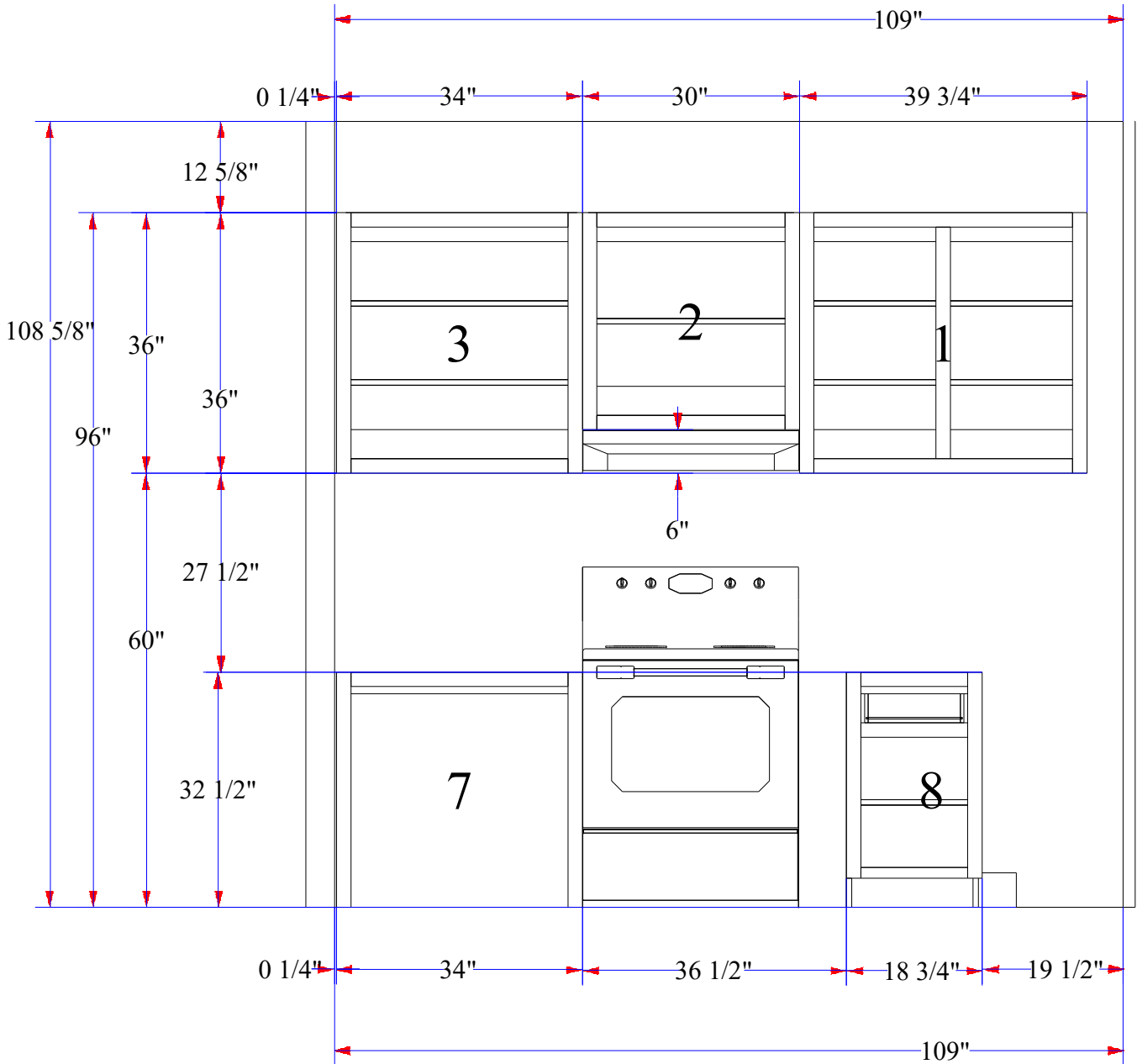
# Accessible Unit



# Accessible Unit Kitchen Wall 1



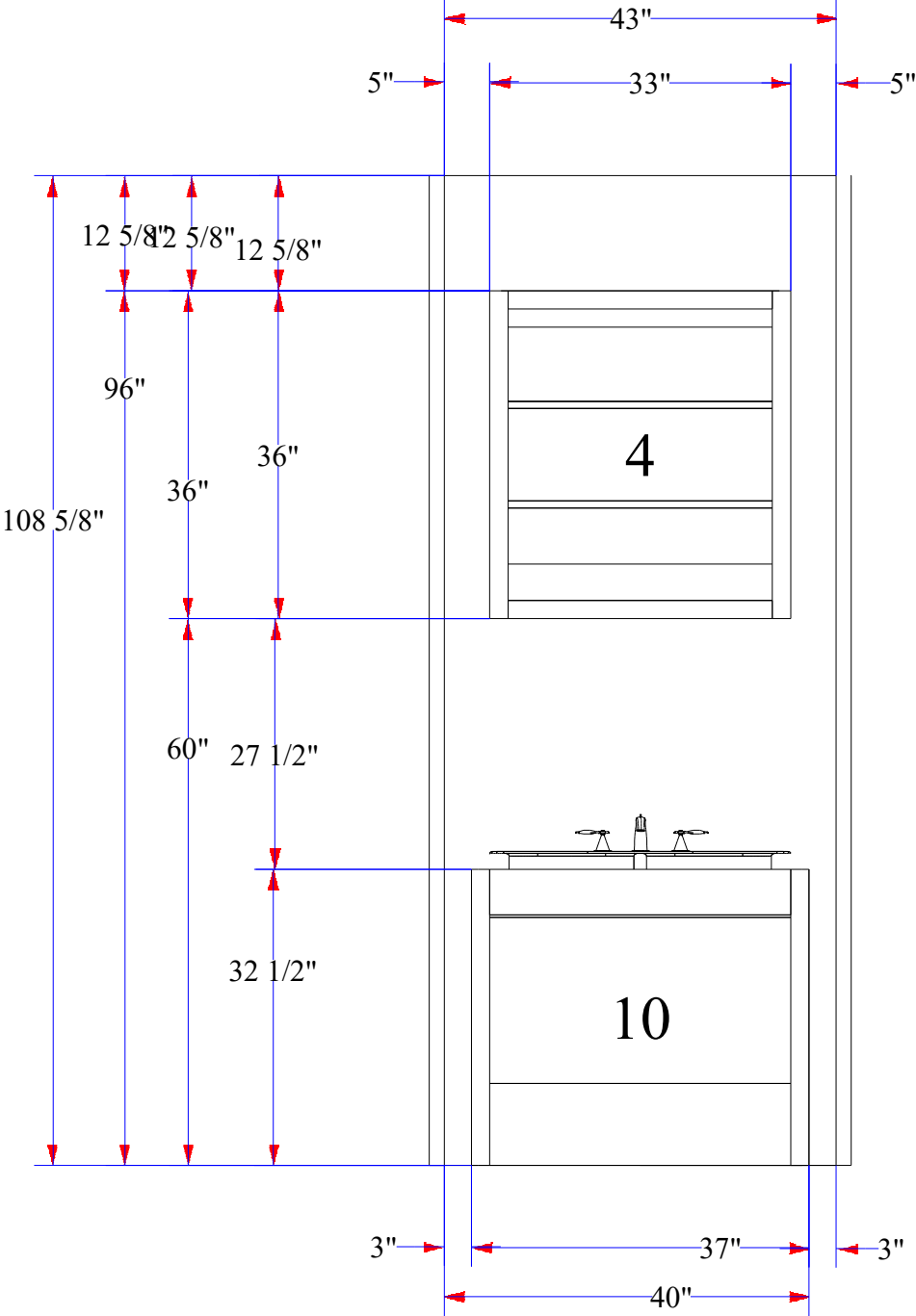
# Accessible Unit Kitchen Wall 1



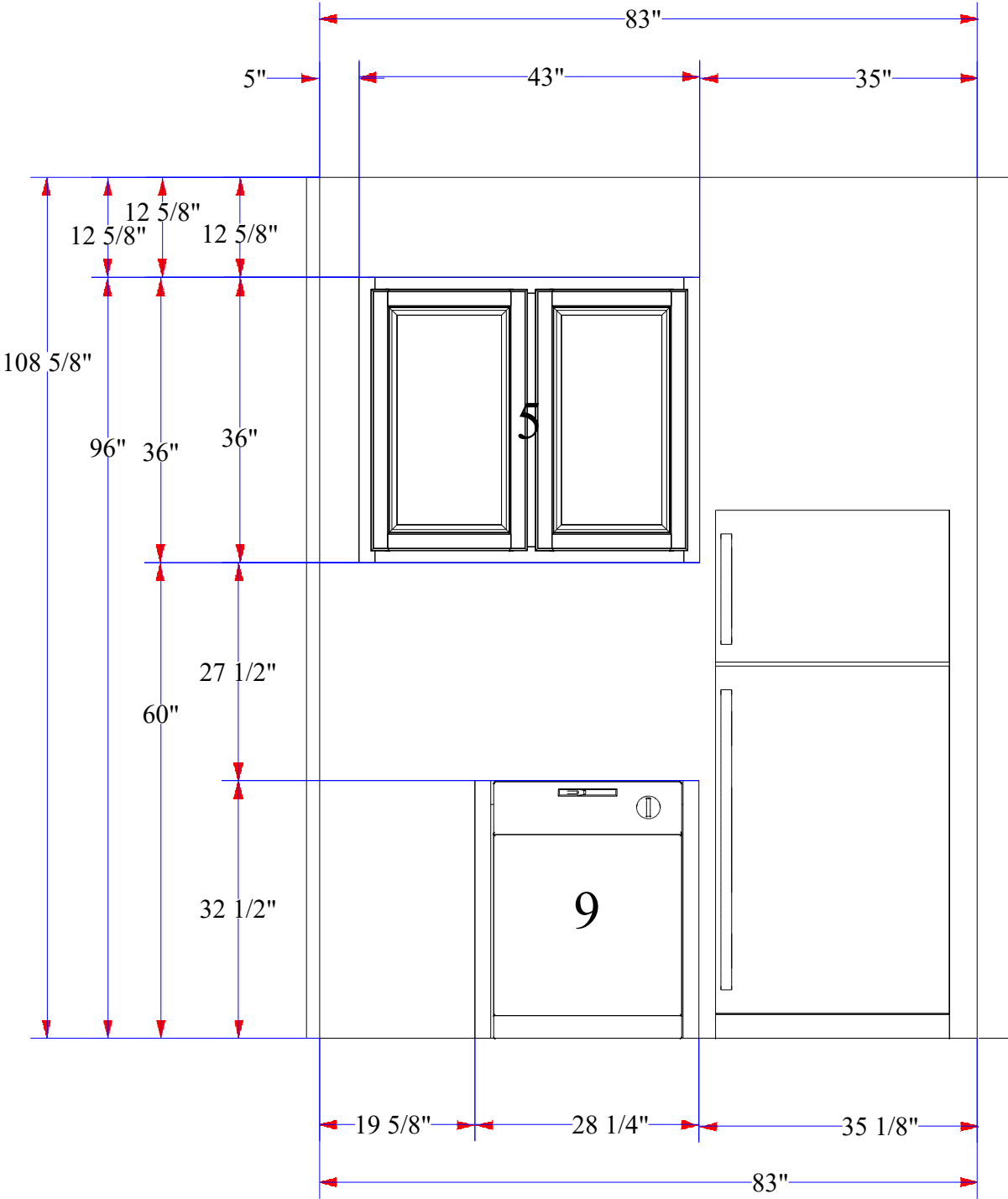




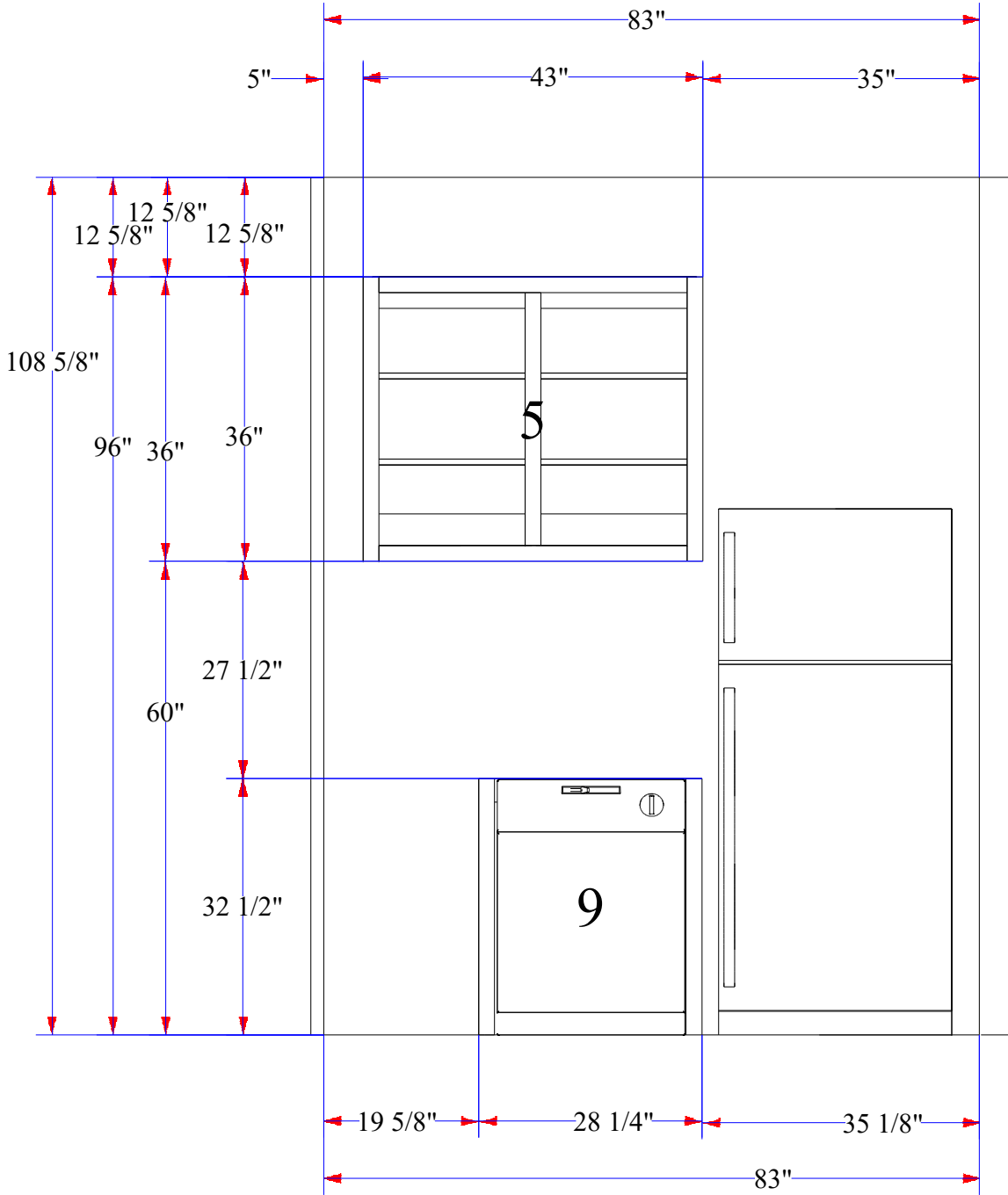
# Accessible Unit Kitchen Wall 2



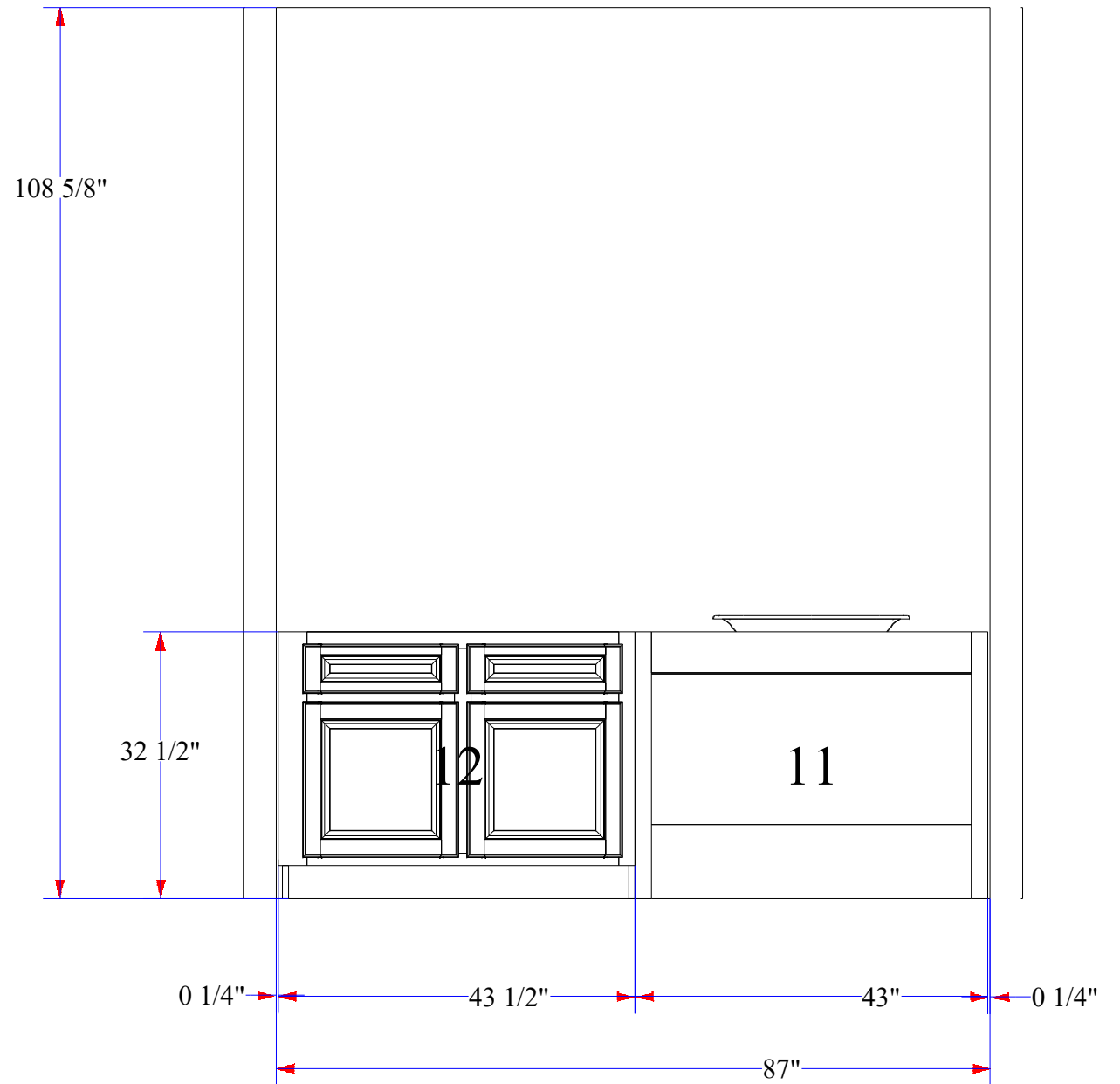
# Accessible Unit Kitchen Wall 3



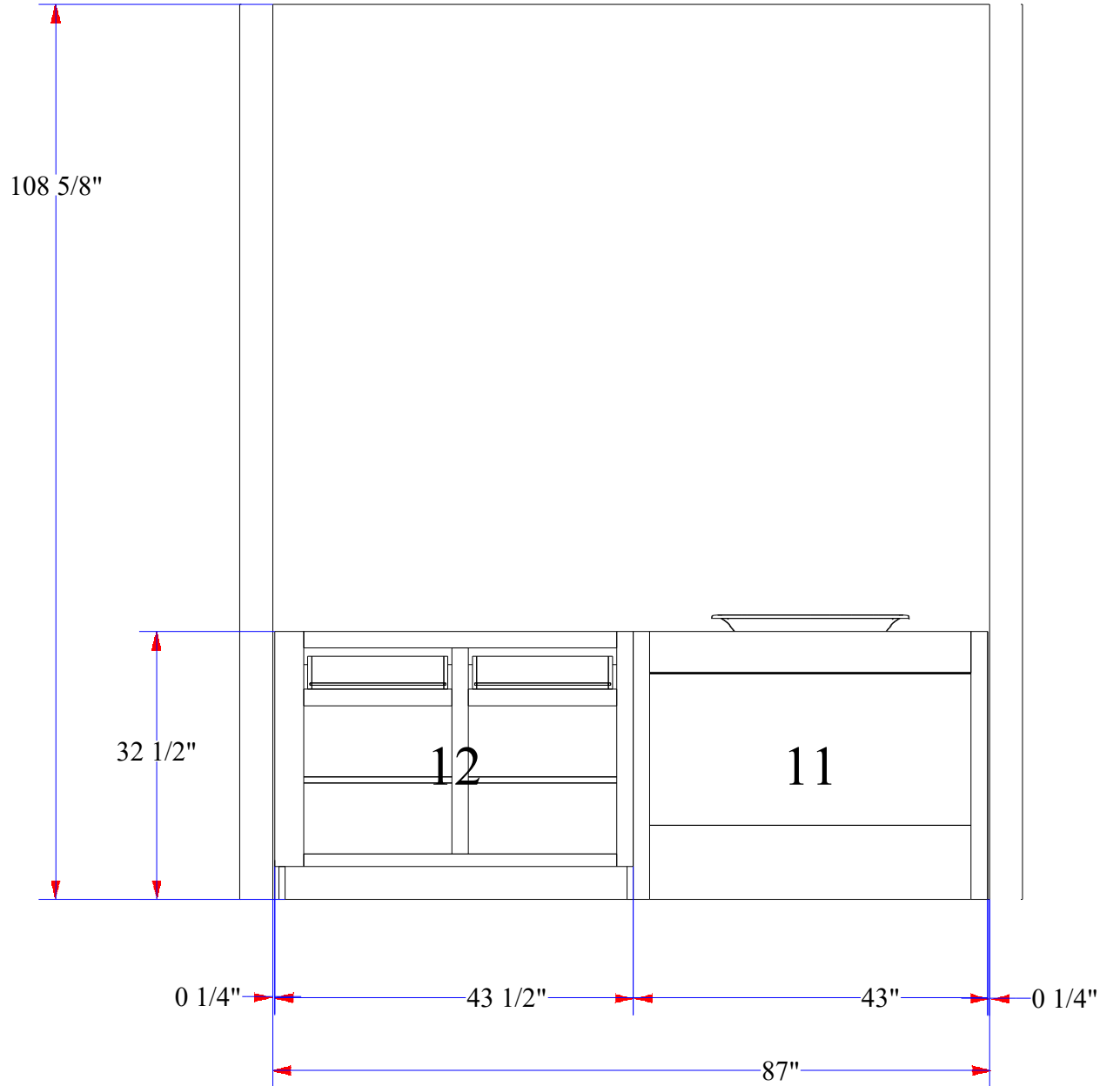
# Accessible Unit Kitchen Wall 3



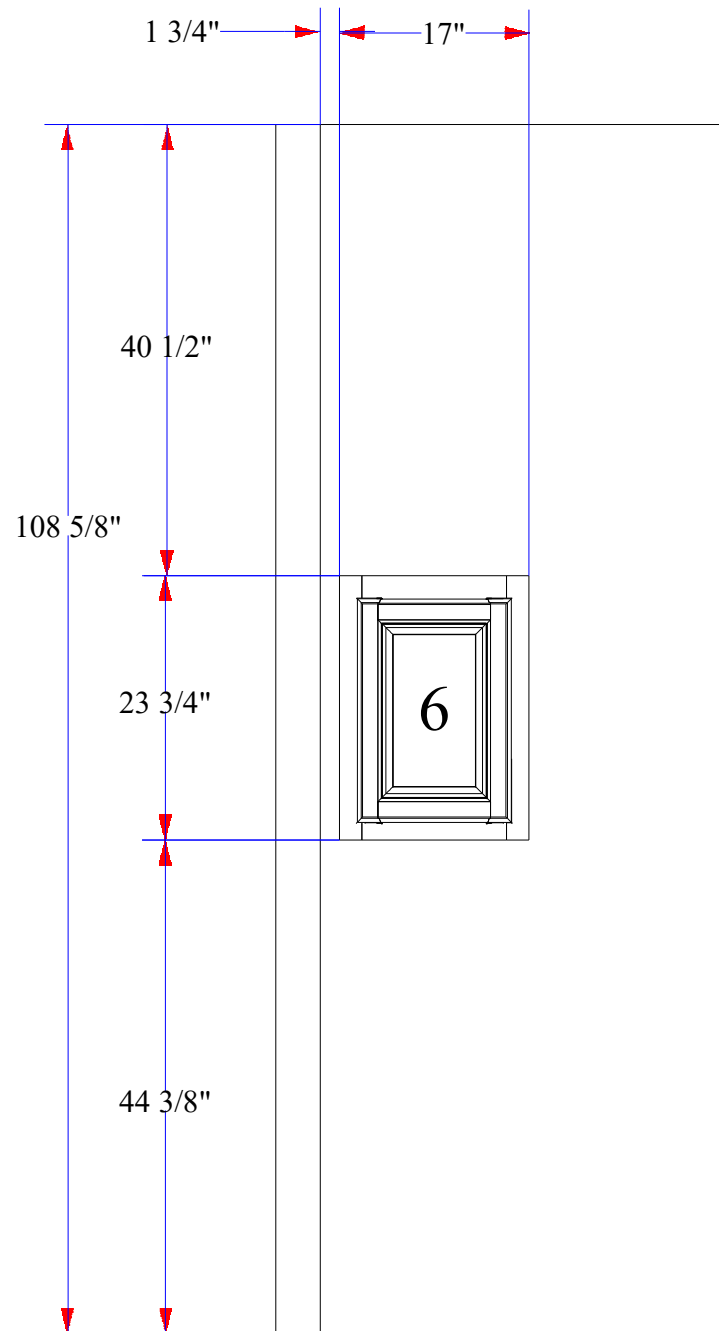
Accessible Unit  
Bath  
Wall 1



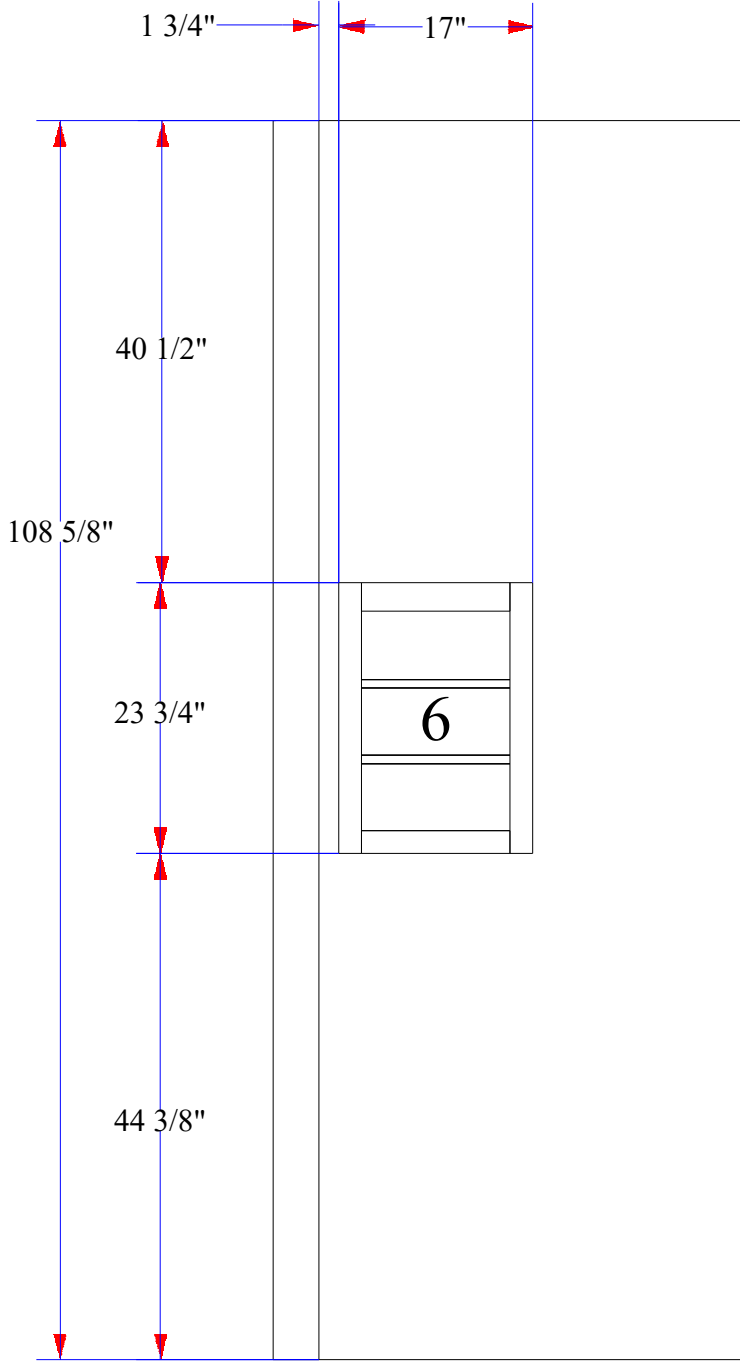
Accessible Unit  
Bath  
Wall 1



Accessible Unit  
Bath  
Wall 2



Accessible Unit  
Bath  
Wall 2

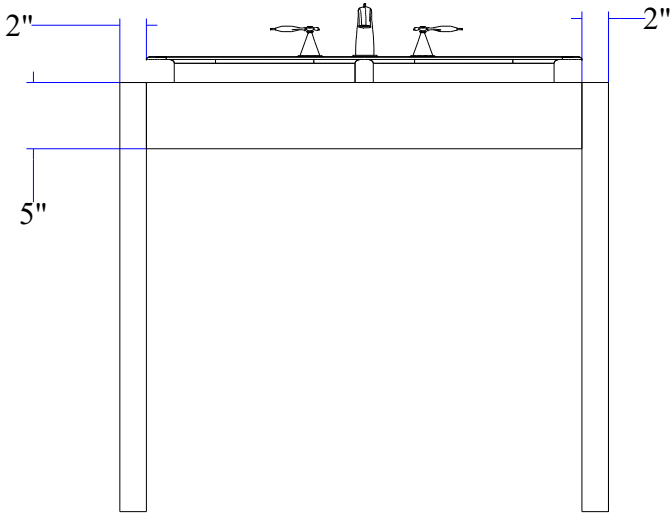
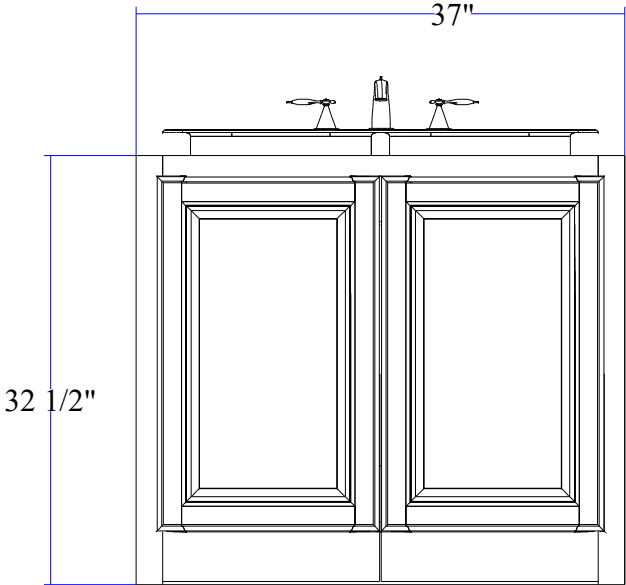
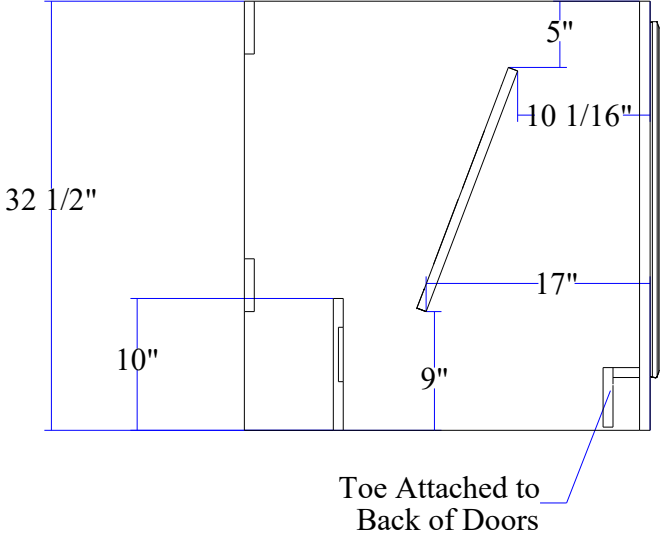






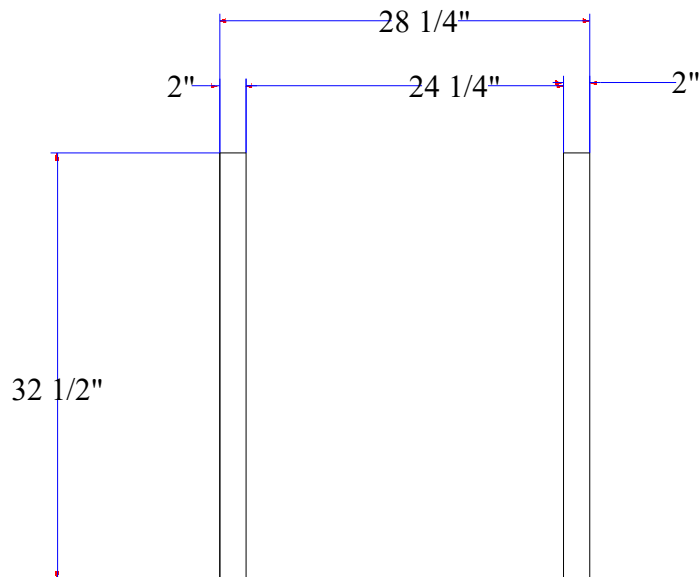
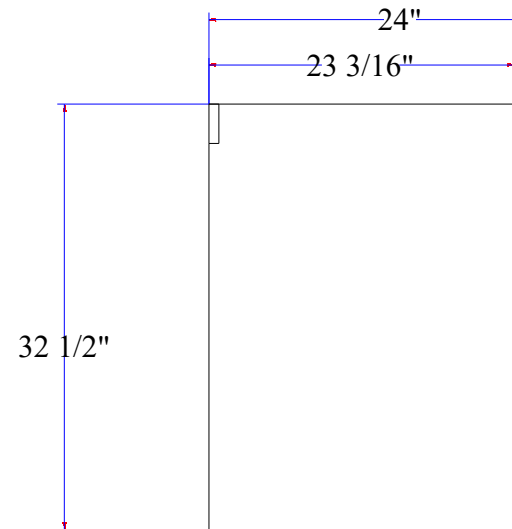
# Typ. Accessible Unit Kitchen Sink

|                        |                             |
|------------------------|-----------------------------|
| Cabinet Box Material   | 3/4" Radiata Pine Plywood   |
| Finished End Material  | 3/4"B-2 R/C V/C Red Oak Ply |
| Cabinet Back Material  | 1/4" MDF                    |
| Drawer Box Material    | 1/2" Baltic Birch Plywood   |
| Drawer Bottom Material | 1/4" MDF                    |
| Face Frame Material    | 4/4 FAS Red Oak             |
| Door Material          | 4/4 FAS Red Oak             |
| Door Hinges            | Salice C2R9A99              |
|                        |                             |
|                        |                             |



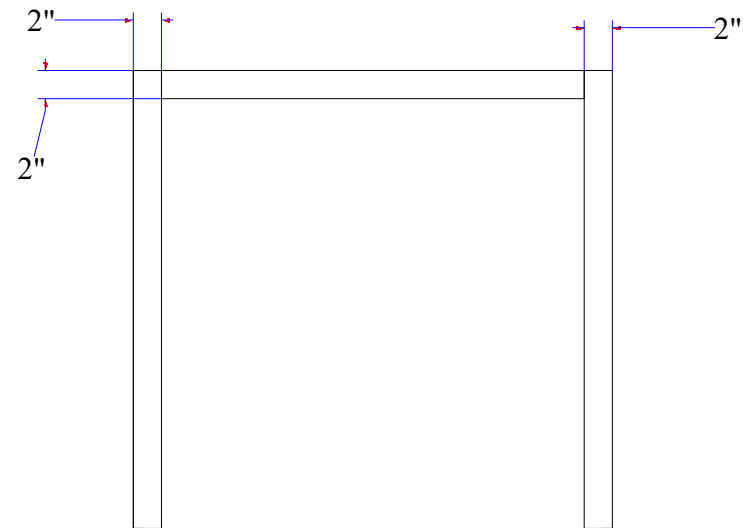
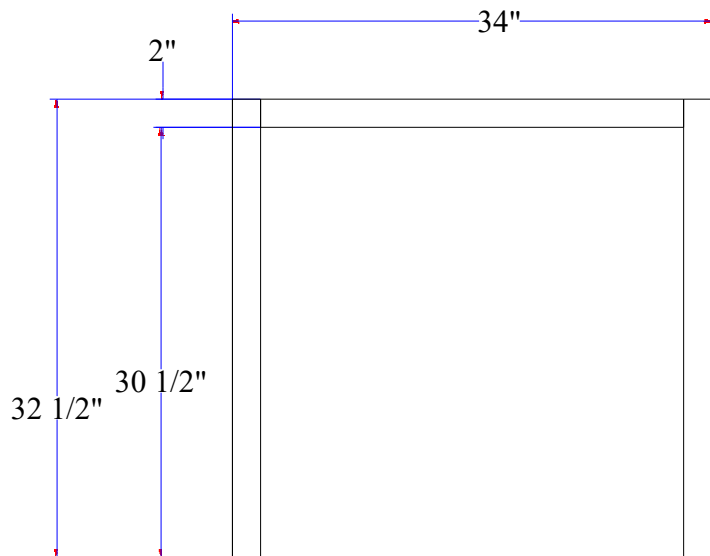
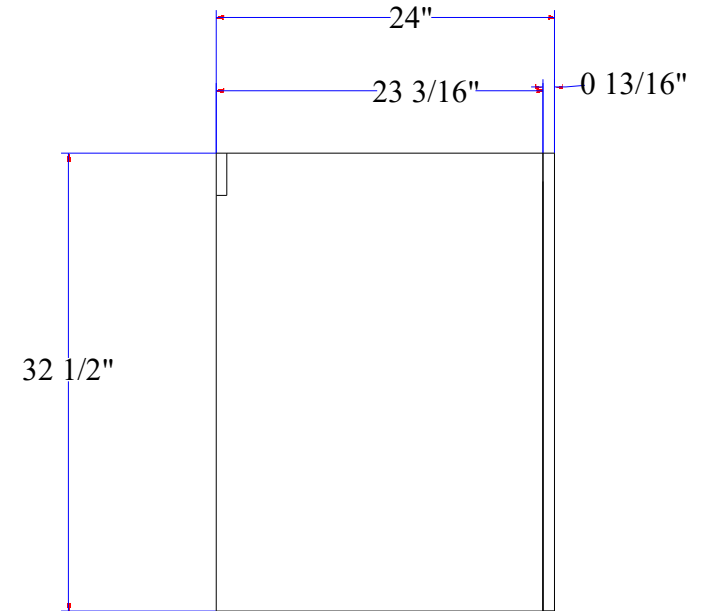
# Typ. Accessible Unit Dishwasher Base

|                        |                             |
|------------------------|-----------------------------|
| Cabinet Box Material   | 3/4" Radiata Pine Plywood   |
| Finished End Material  | 3/4"B-2 R/C V/C Red Oak Ply |
| Cabinet Back Material  | 1/4" MDF                    |
| Drawer Box Material    | 1/2" Baltic Birch Plywood   |
| Drawer Bottom Material | 1/4" MDF                    |
| Face Frame Material    | 4/4 FAS Red Oak             |
| Door Material          | 4/4 FAS Red Oak             |
|                        |                             |
|                        |                             |
|                        |                             |



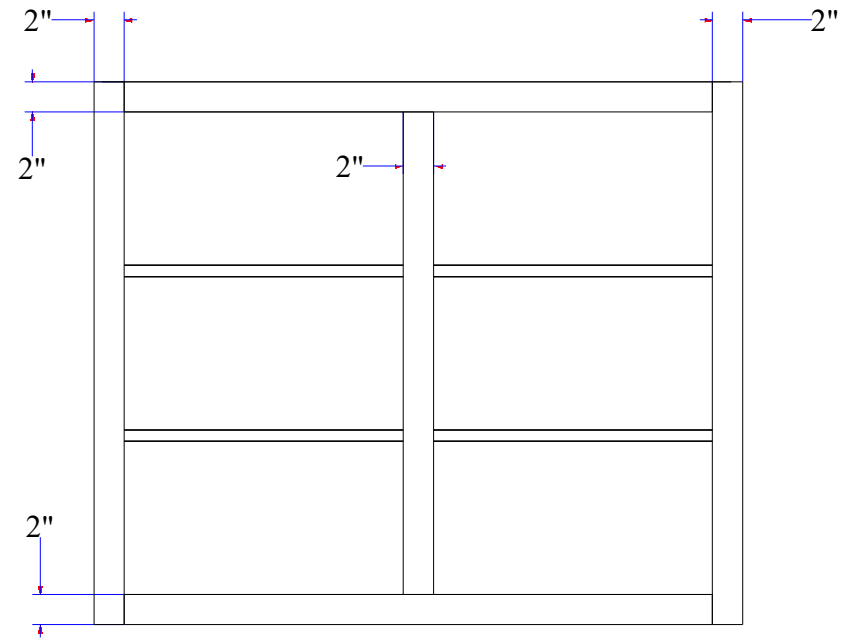
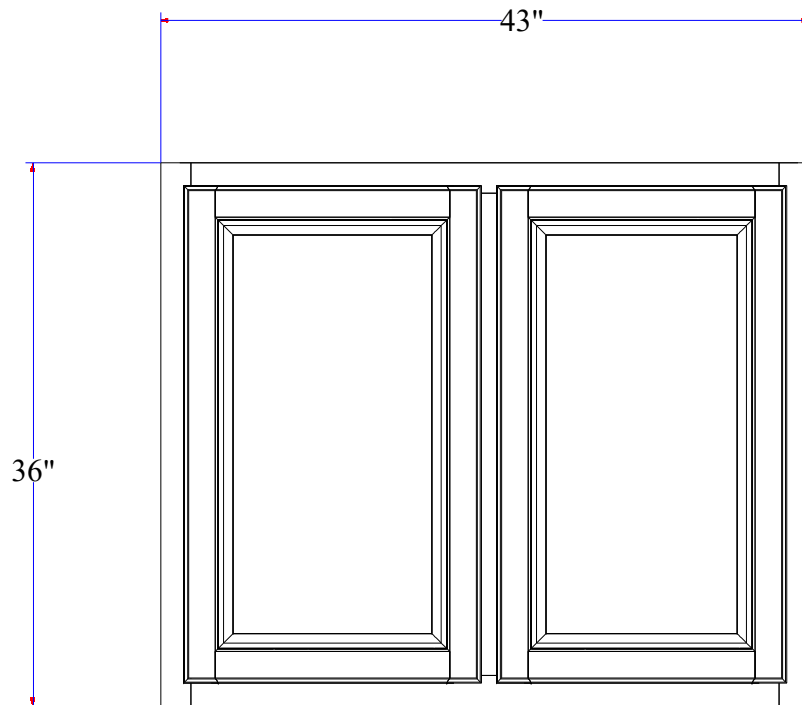
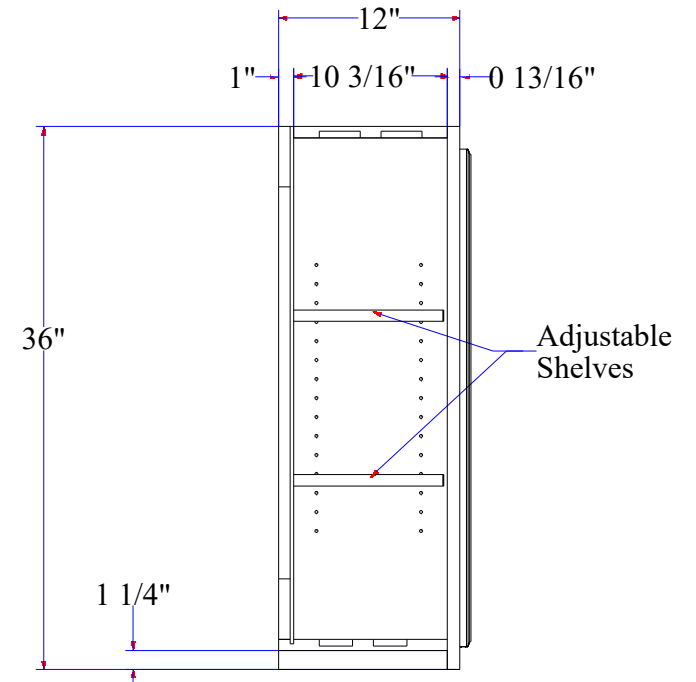
# Typ. Accessible Unit Knee Space

|                        |                             |
|------------------------|-----------------------------|
| Cabinet Box Material   | 3/4" Radiata Pine Plywood   |
| Finished End Material  | 3/4"B-2 R/C V/C Red Oak Ply |
| Cabinet Back Material  | 1/4" MDF                    |
| Drawer Box Material    | 1/2" Baltic Birch Plywood   |
| Drawer Bottom Material | 1/4" MDF                    |
| Face Frame Material    | 4/4 FAS Red Oak             |
| Door Material          | 4/4 FAS Red Oak             |
|                        |                             |
|                        |                             |
|                        |                             |



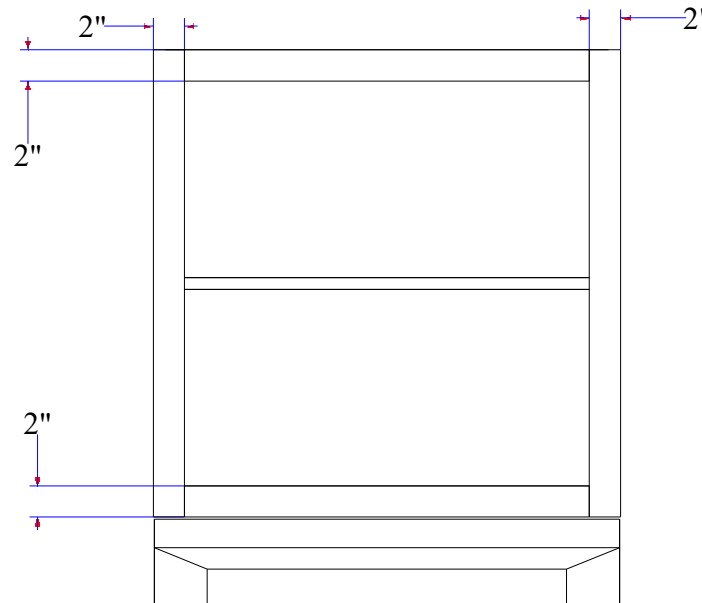
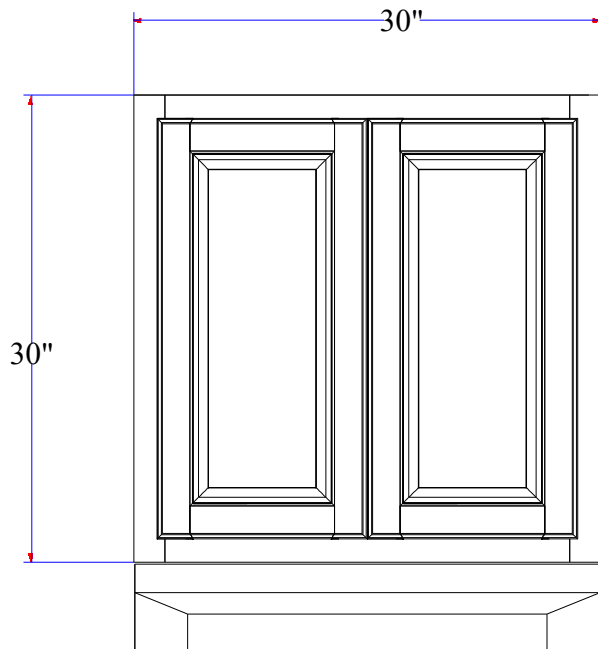
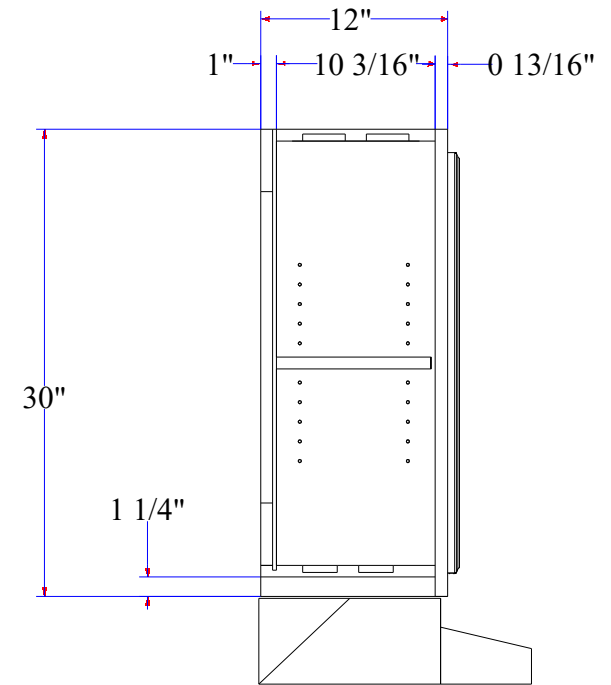
# Typ. Accessible Unit Upper

|                        |                             |
|------------------------|-----------------------------|
| Cabinet Box Material   | 3/4" Radiata Pine Plywood   |
| Finished End Material  | 3/4"B-2 R/C V/C Red Oak Ply |
| Cabinet Back Material  | 1/4" MDF                    |
| Drawer Box Material    | 1/2" Baltic Birch Plywood   |
| Drawer Bottom Material | 1/4" MDF                    |
| Face Frame Material    | 4/4 FAS Red Oak             |
| Door Material          | 4/4 FAS Red Oak             |
| Door Hinges            | Salice C2R9A99              |
|                        |                             |
|                        |                             |



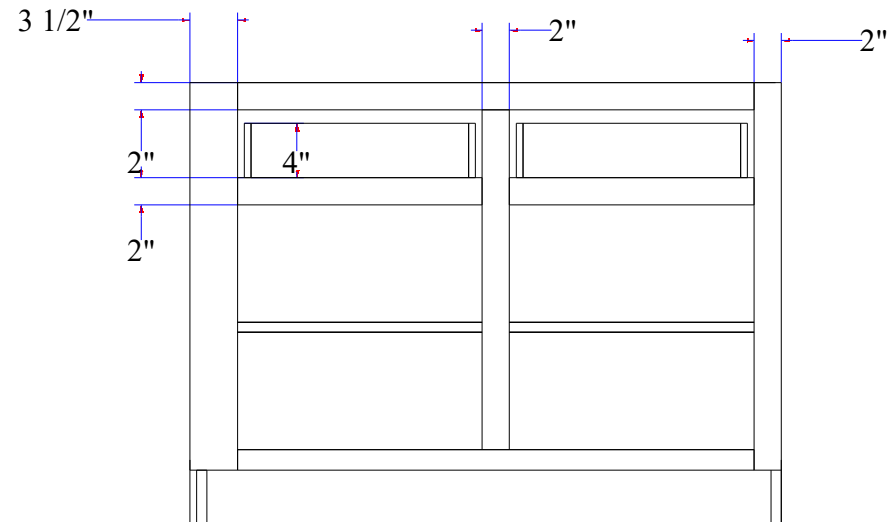
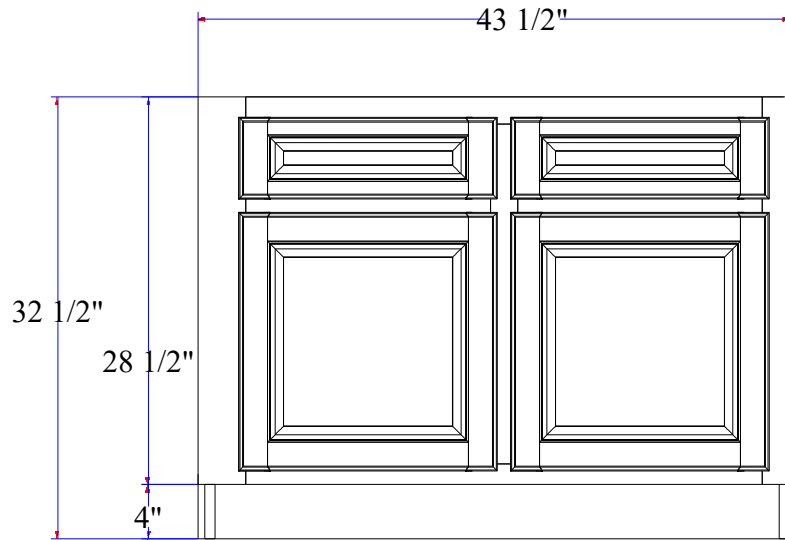
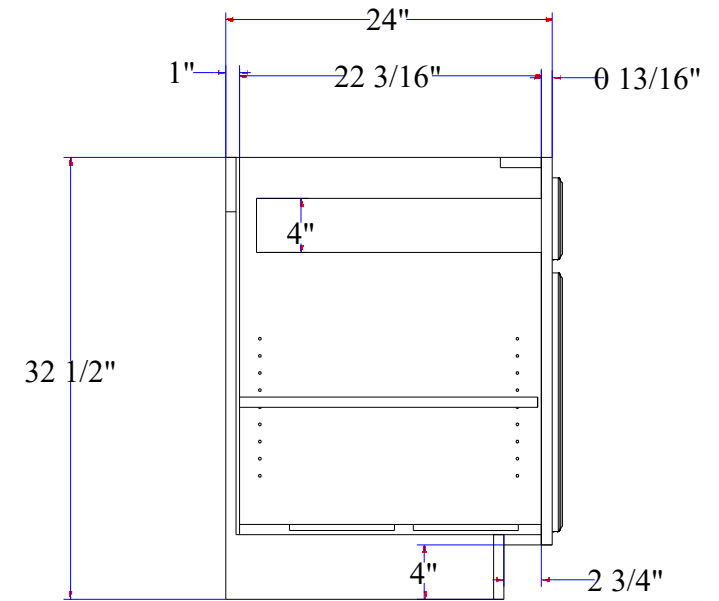
# Typ. Accessible Unit Range Hood

|                        |                             |
|------------------------|-----------------------------|
| Cabinet Box Material   | 3/4" Radiata Pine Plywood   |
| Finished End Material  | 3/4"B-2 R/C V/C Red Oak Ply |
| Cabinet Back Material  | 1/4" MDF                    |
| Drawer Box Material    | 1/2" Baltic Birch Plywood   |
| Drawer Bottom Material | 1/4" MDF                    |
| Face Frame Material    | 4/4 FAS Red Oak             |
| Door Material          | 4/4 FAS Red Oak             |
| Door Hinges            | Salice C2R9A99              |
|                        |                             |
|                        |                             |



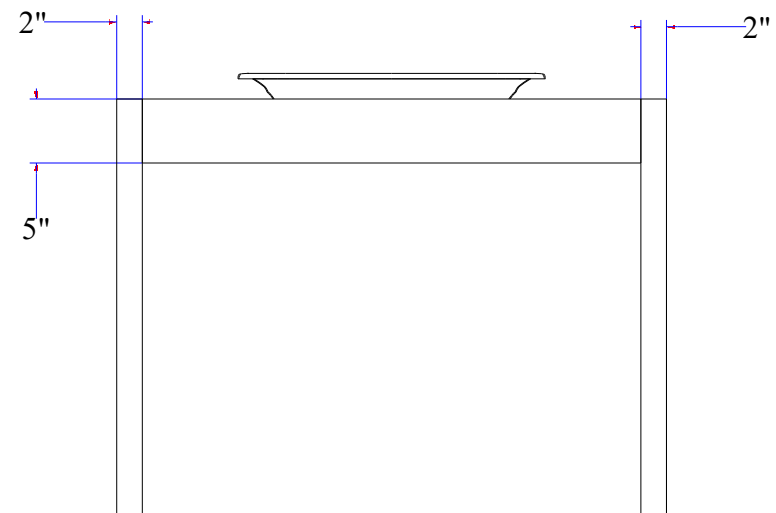
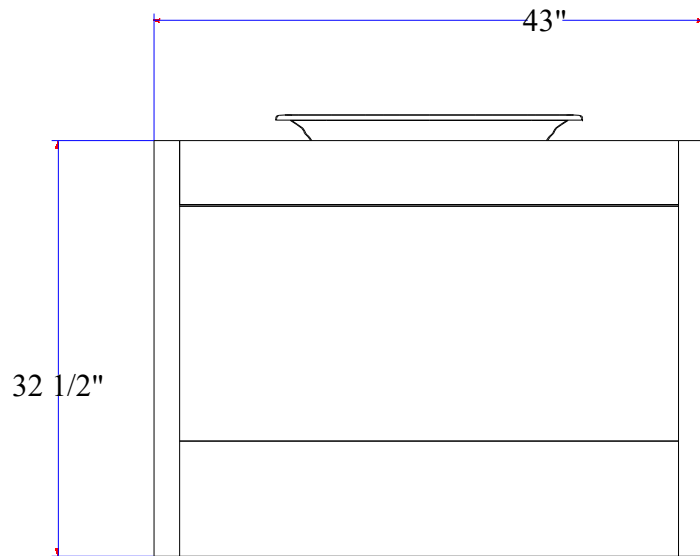
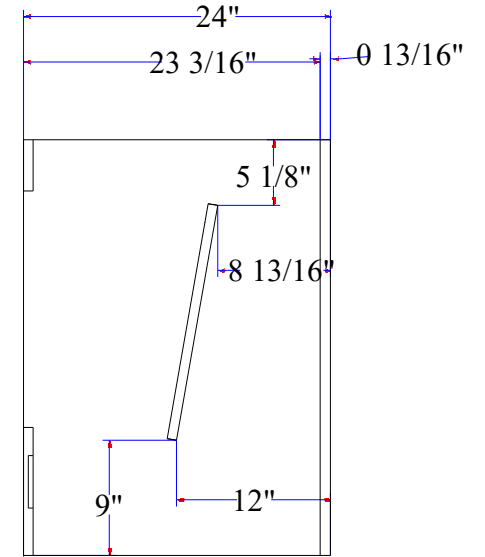
# Typ. Accessible Unit Vanity Base

|                        |                             |
|------------------------|-----------------------------|
| Cabinet Box Material   | 3/4" Radiata Pine Plywood   |
| Finished End Material  | 3/4"B-2 R/C V/C Red Oak Ply |
| Cabinet Back Material  | 1/4" MDF                    |
| Drawer Box Material    | 1/2" Baltic Birch Plywood   |
| Drawer Bottom Material | 1/4" MDF                    |
| Face Frame Material    | 4/4 FAS Red Oak             |
| Door Material          | 4/4 FAS Red Oak             |
| Door Hinges            | Salice C2R9A99              |
| Drawer Slides          | Harn 2030 3/4 Extension     |
|                        |                             |



# Typ. Accessible Unit Vanity Sink

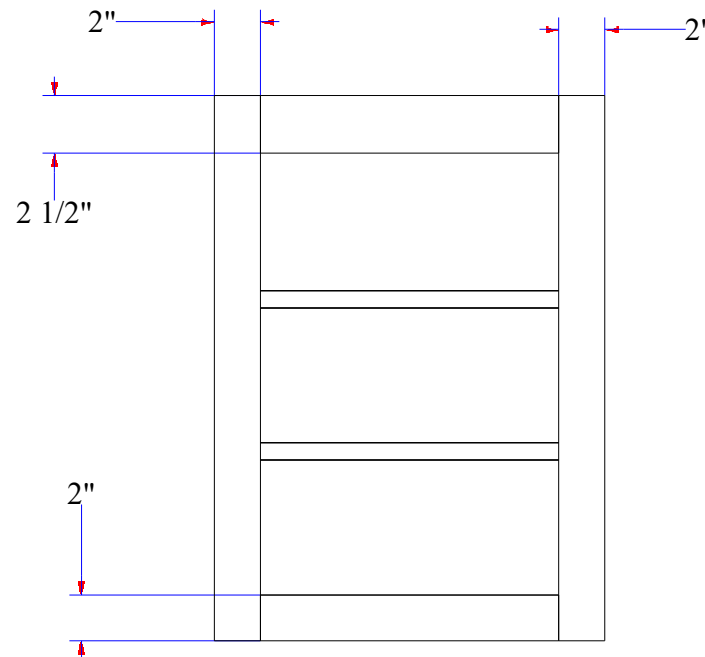
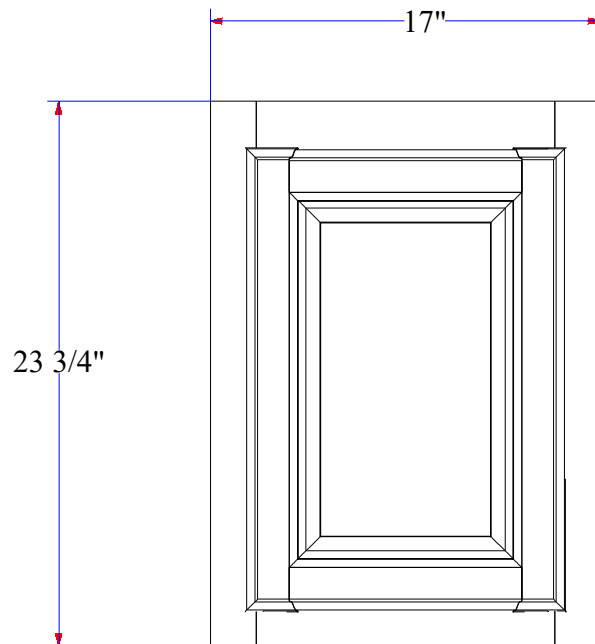
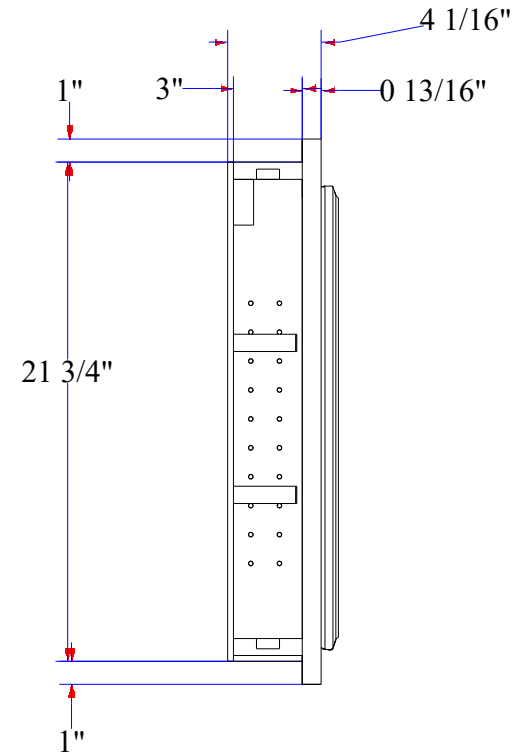
|                        |                             |
|------------------------|-----------------------------|
| Cabinet Box Material   | 3/4" Radiata Pine Plywood   |
| Finished End Material  | 3/4"B-2 R/C V/C Red Oak Ply |
| Cabinet Back Material  | 1/4" MDF                    |
| Drawer Box Material    | 1/2" Baltic Birch Plywood   |
| Drawer Bottom Material | 1/4" MDF                    |
| Face Frame Material    | 4/4 FAS Red Oak             |
| Door Material          | 4/4 FAS Red Oak             |
| Door Hinges            | Salice C2R9A99              |
|                        |                             |
|                        |                             |





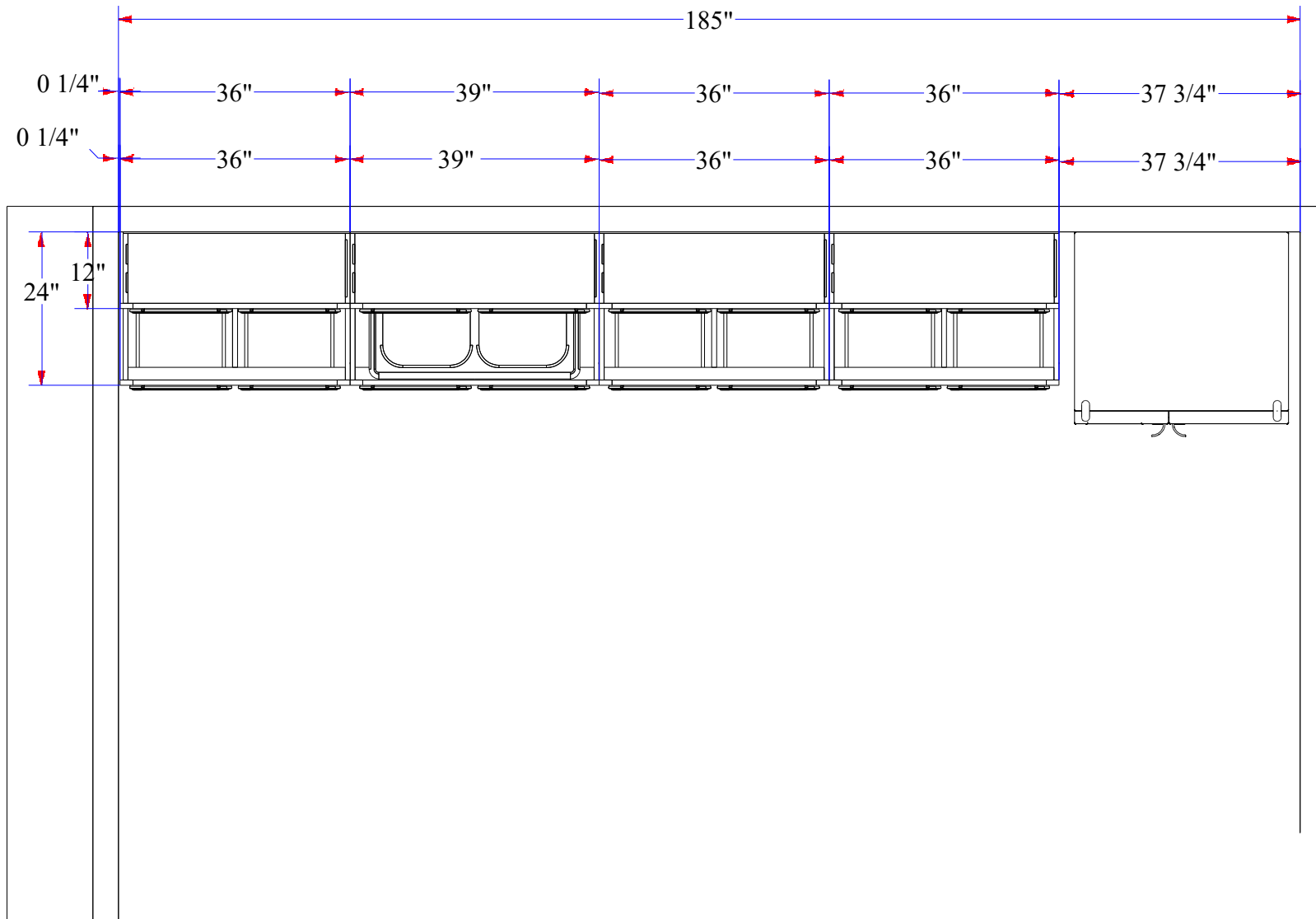
# Typ. Accessible Unit Medicine Cabinet

|                        |                             |
|------------------------|-----------------------------|
| Cabinet Box Material   | 3/4" Radiata Pine Plywood   |
| Finished End Material  | 3/4"B-2 R/C V/C Red Oak Ply |
| Cabinet Back Material  | 1/4" MDF                    |
| Drawer Box Material    | 1/2" Baltic Birch Plywood   |
| Drawer Bottom Material | 1/4" MDF                    |
| Face Frame Material    | 4/4 FAS Red Oak             |
| Door Material          | 4/4 FAS Red Oak             |
| Door Hinges            | Salice C2R9A99              |
|                        |                             |
|                        |                             |

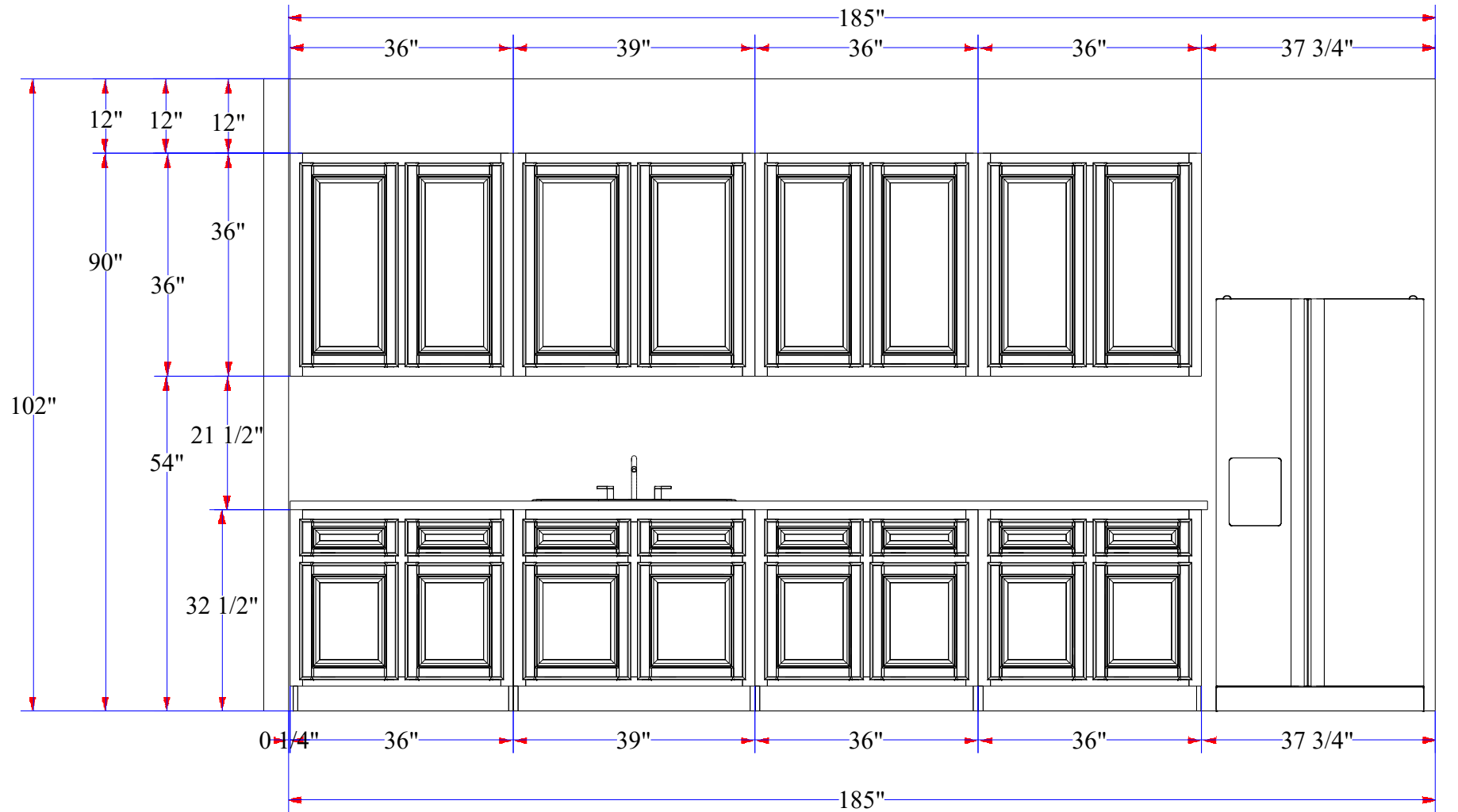




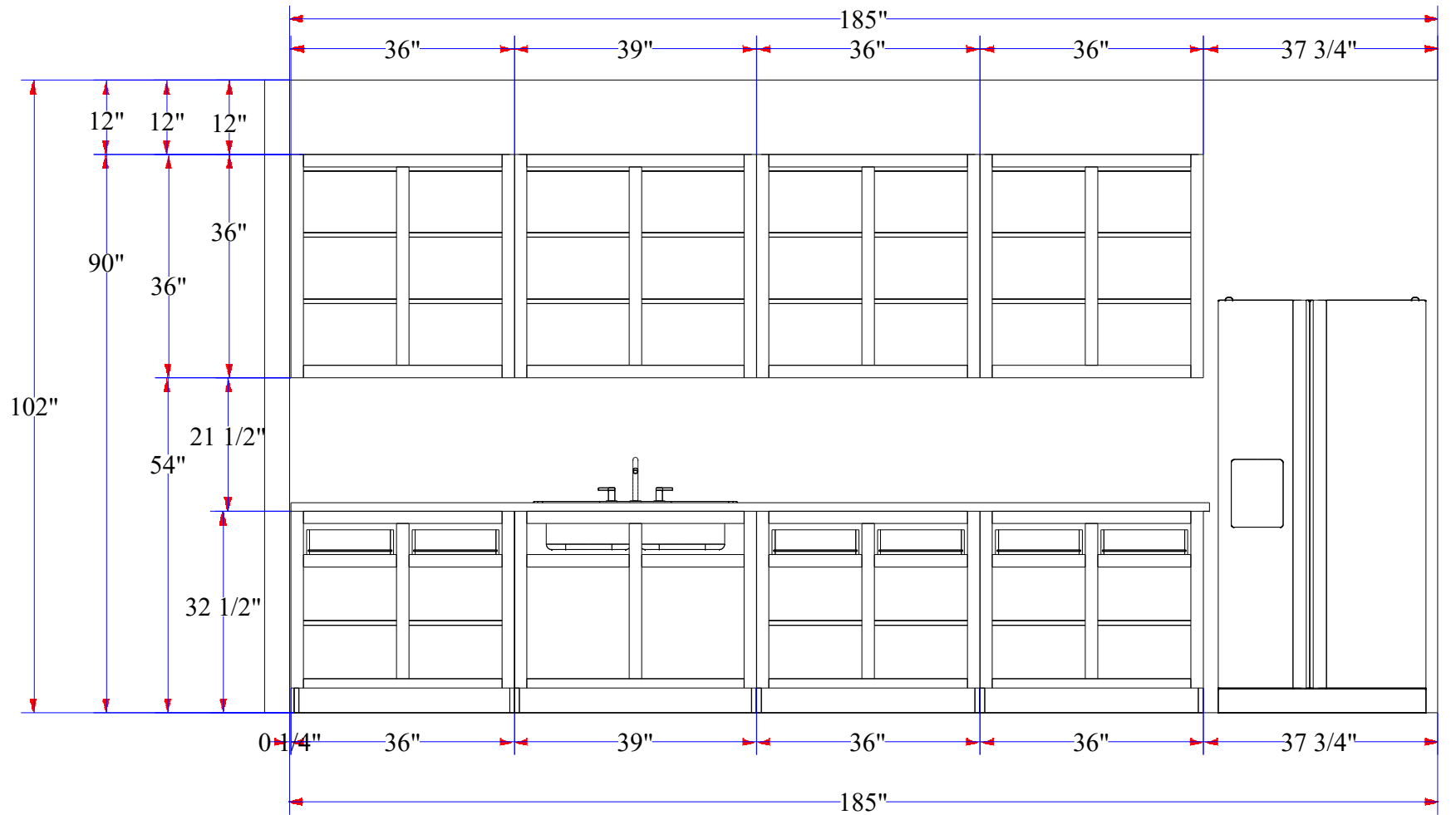
# Employee Break Room



# Employee Break Room

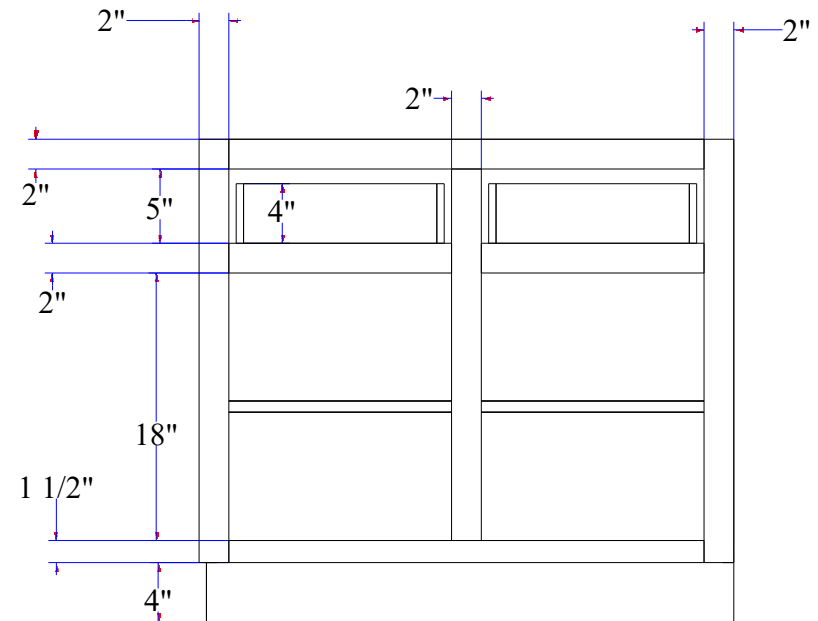
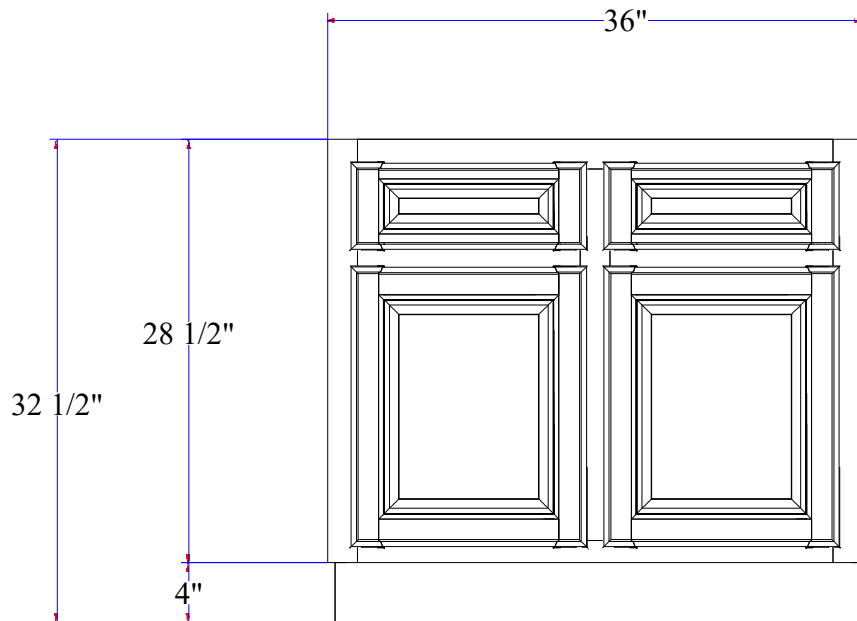
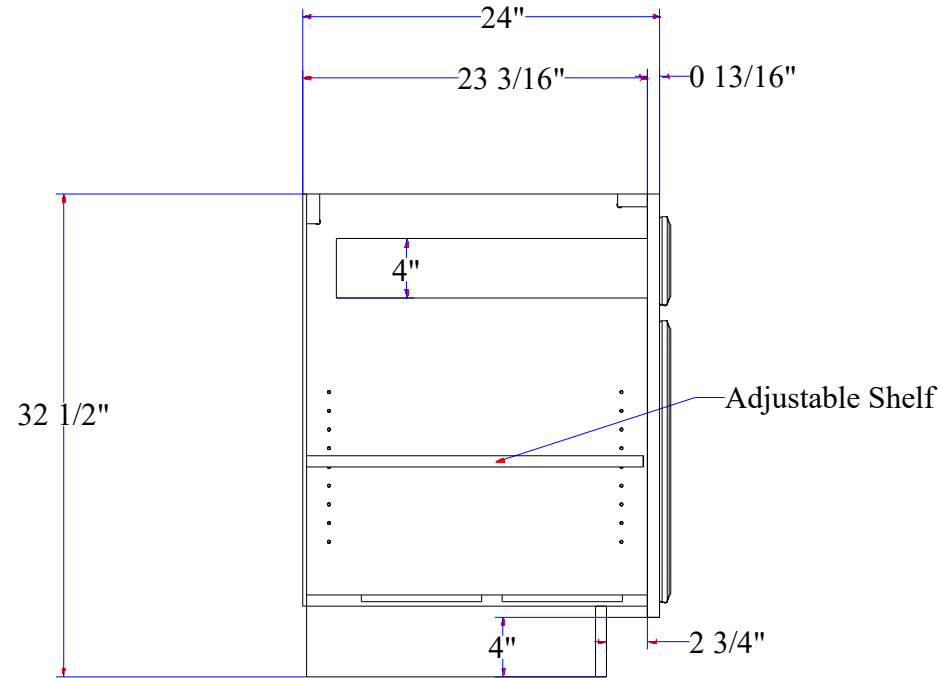


# Employee Break Room



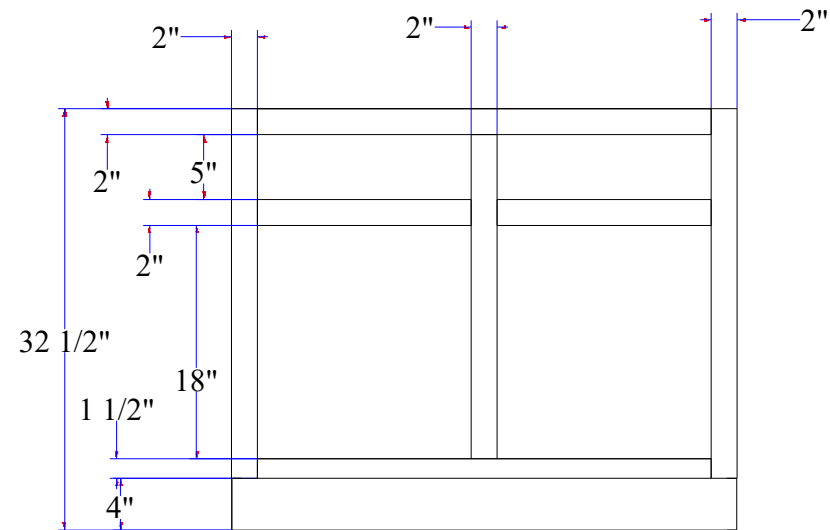
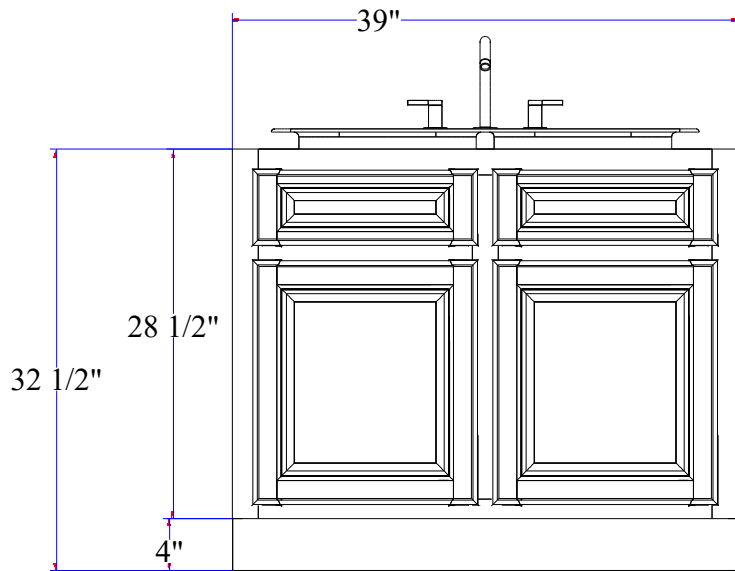
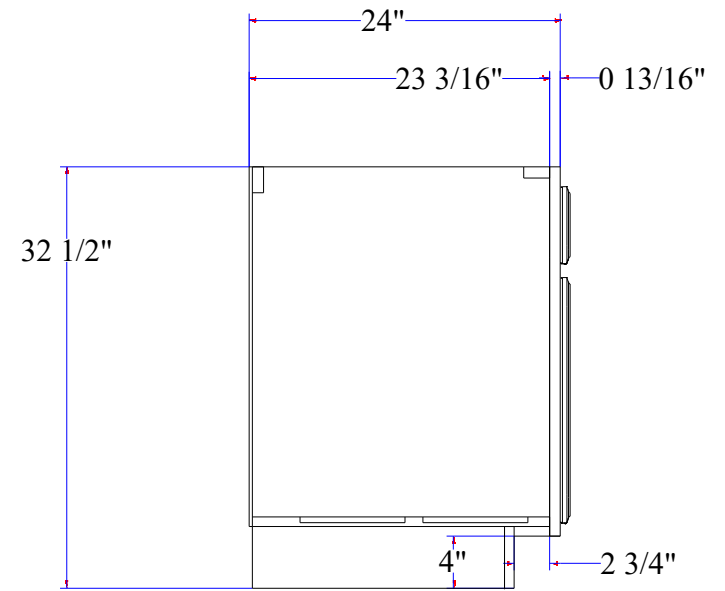
# Typ. Break Room Base

|                        |                             |
|------------------------|-----------------------------|
| Cabinet Box Material   | 3/4 Radiata Pine Plywood    |
| Finished End Material  | 3/4 B-2 R/C V/C Red Oak Ply |
| Cabinet Back material  | 1/4" MDF                    |
| Drawer Box Material    | 1/2" Baltic Birch Plywood   |
| Drawer bottom Material | 1/4" MDF                    |
| Face Frame Material    | 4/4 FAS Red Oak             |
| Door Material          | 4/4 FAS Red Oak             |
| Door Hinges            | Salice C2R9A99              |
| Drawer Slides          | Harn 2030 3/4 Extension     |
|                        |                             |



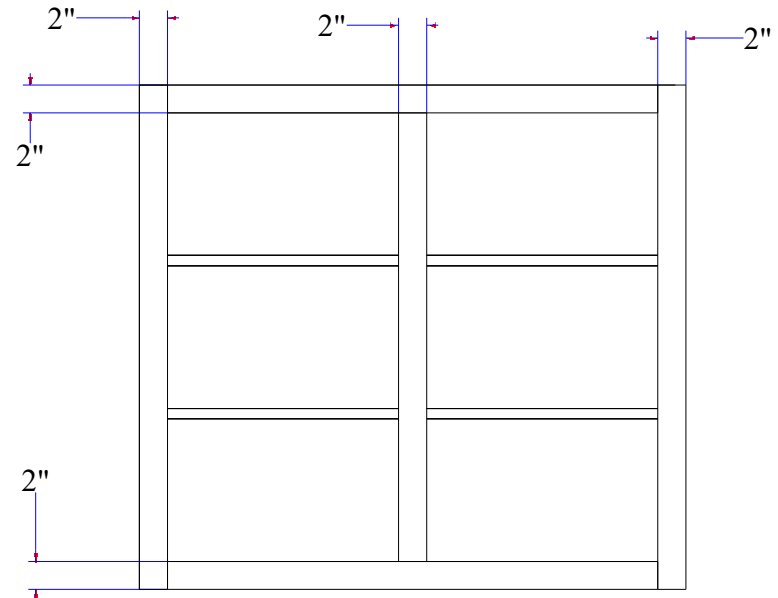
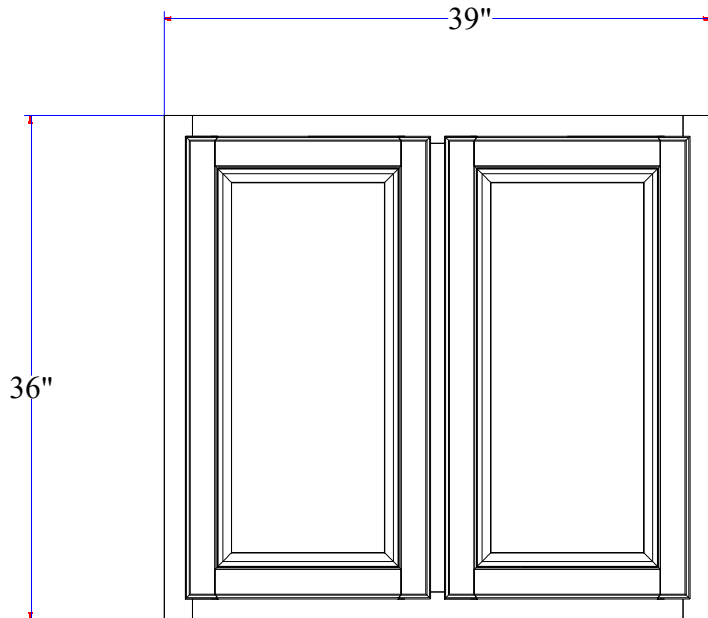
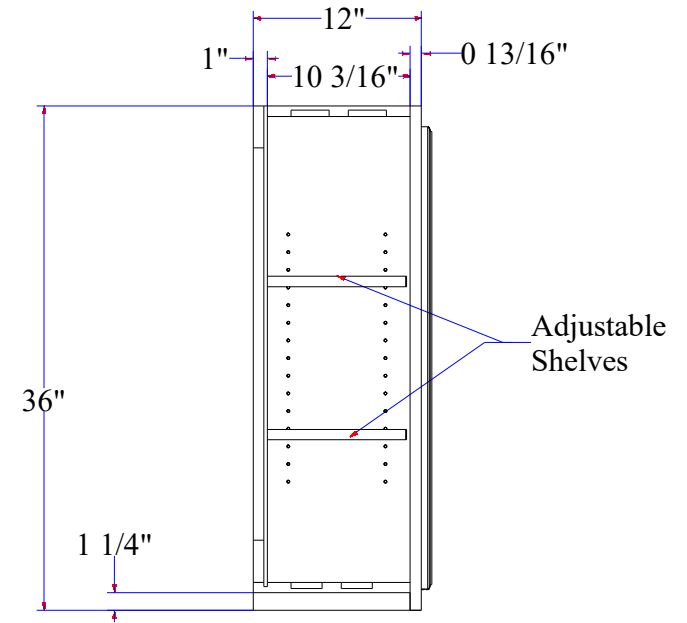
# Break Room Sink Base

|                        |                             |
|------------------------|-----------------------------|
| Cabinet Box Material   | 3/4 Radiata Pine Plywood    |
| Finished End Material  | 3/4 B-2 R/C V/C Red Oak Ply |
| Cabinet Back material  | 1/4" MDF                    |
| Drawer Box Material    | 1/2" Baltic Birch Plywood   |
| Drawer bottom Material | 1/4" MDF                    |
| Face Frame Material    | 4/4 FAS Red Oak             |
| Door Material          | 4/4 FAS Red Oak             |
| Door Hinges            | Salice C2R9A99              |
| Drawer Slides          | Harn 2030 3/4 Extension     |
|                        |                             |



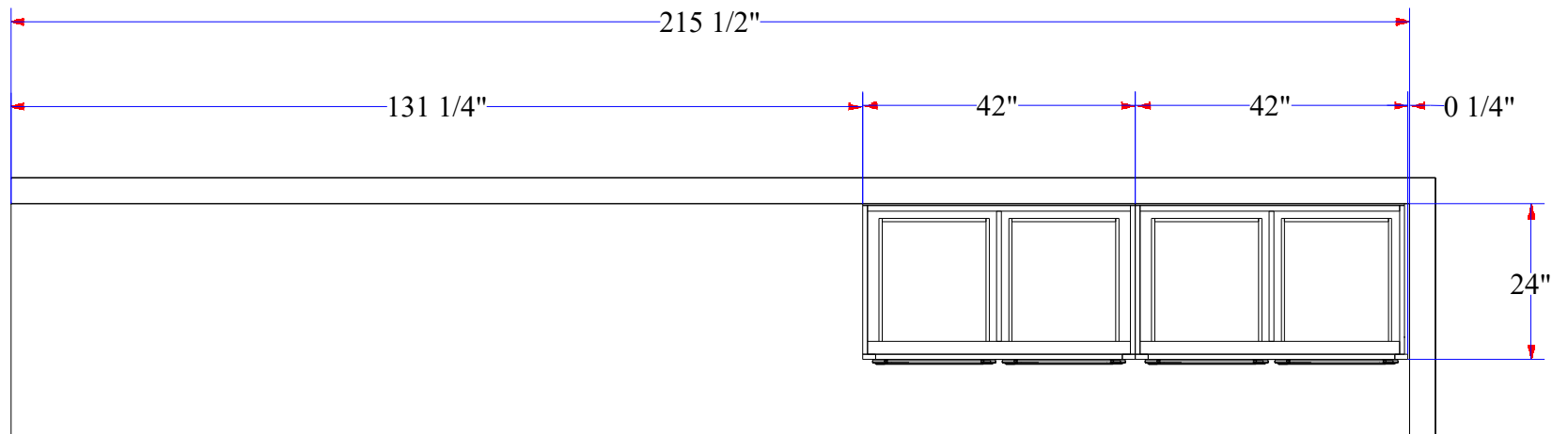
# Typ. Break Room Upper

|                        |                             |
|------------------------|-----------------------------|
| Cabinet Box Material   | 3/4 Radiata Pine Plywood    |
| Finished End Material  | 3/4 B-2 R/C V/C Red Oak Ply |
| Cabinet Back material  | 1/4" MDF                    |
| Drawer Box Material    | 1/2" Baltic Birch Plywood   |
| Drawer bottom Material | 1/4" MDF                    |
| Face Frame Material    | 4/4 FAS Red Oak             |
| Door Material          | 4/4 FAS Red Oak             |
| Door Hinges            | Salice C2R9A99              |
|                        |                             |
|                        |                             |

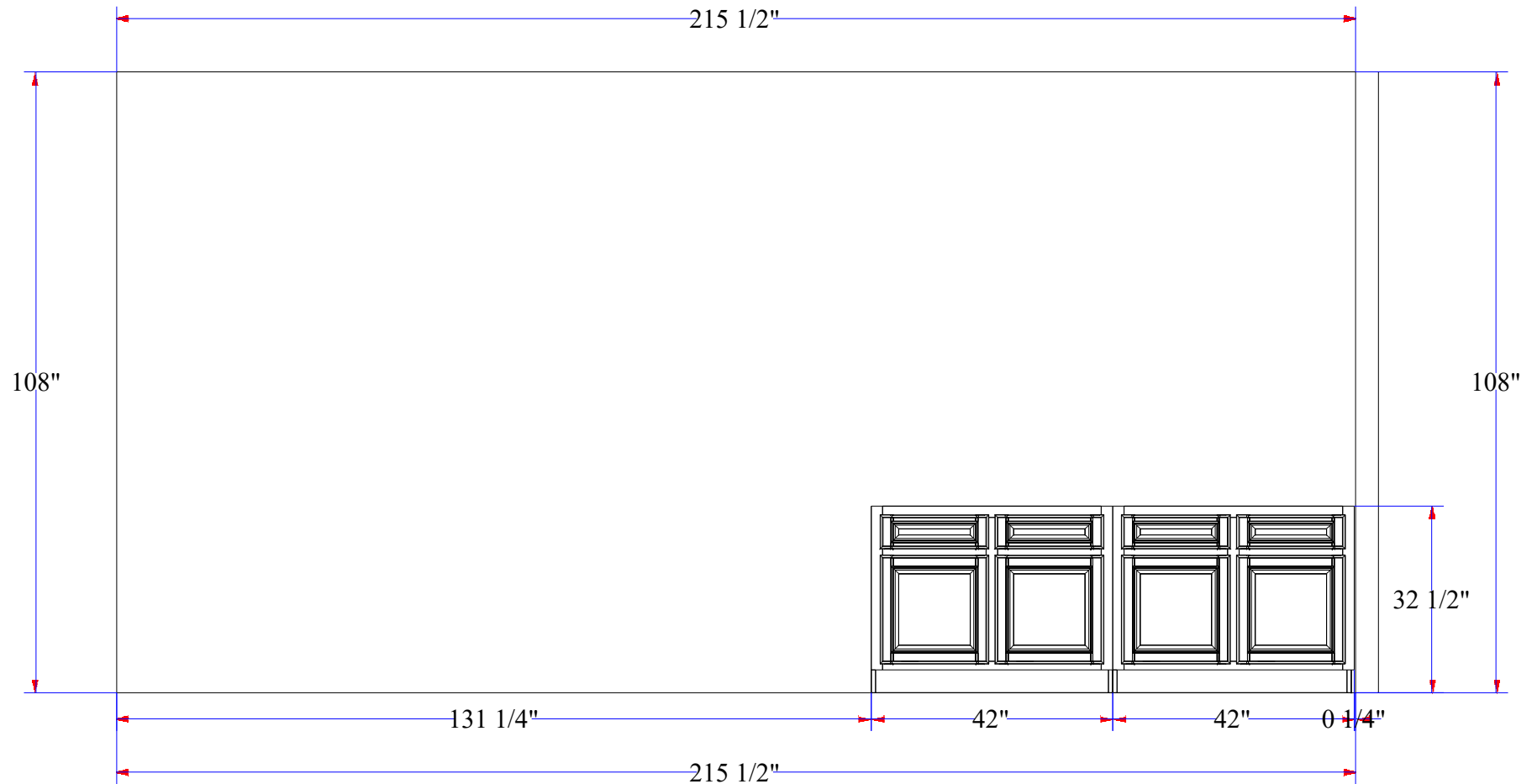




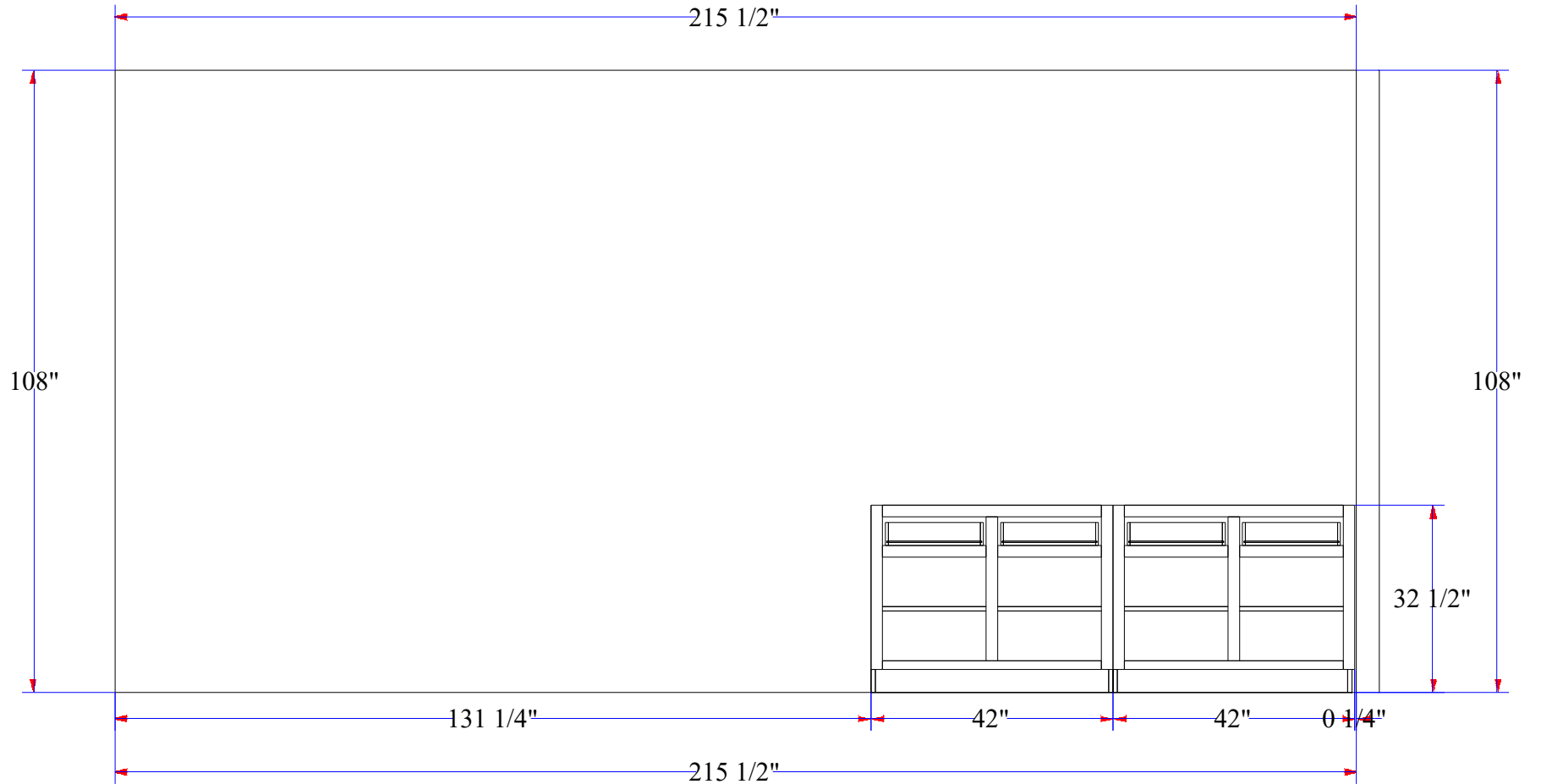
# Houskeeping



# Housekeeping

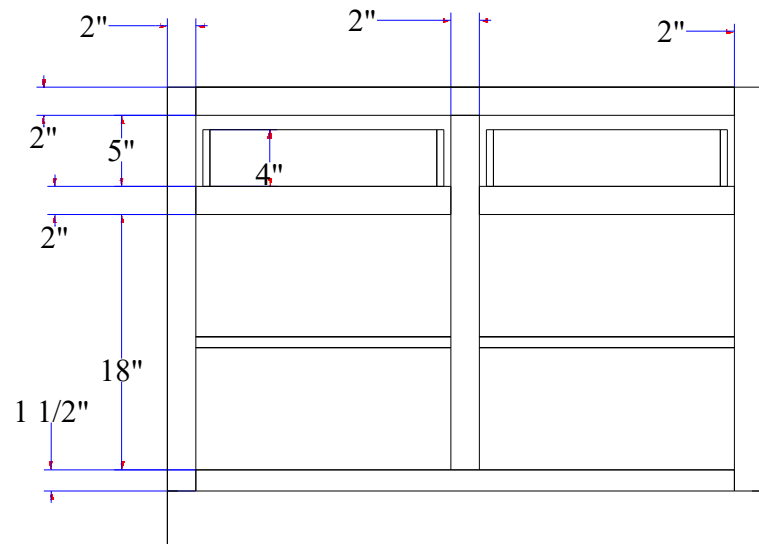
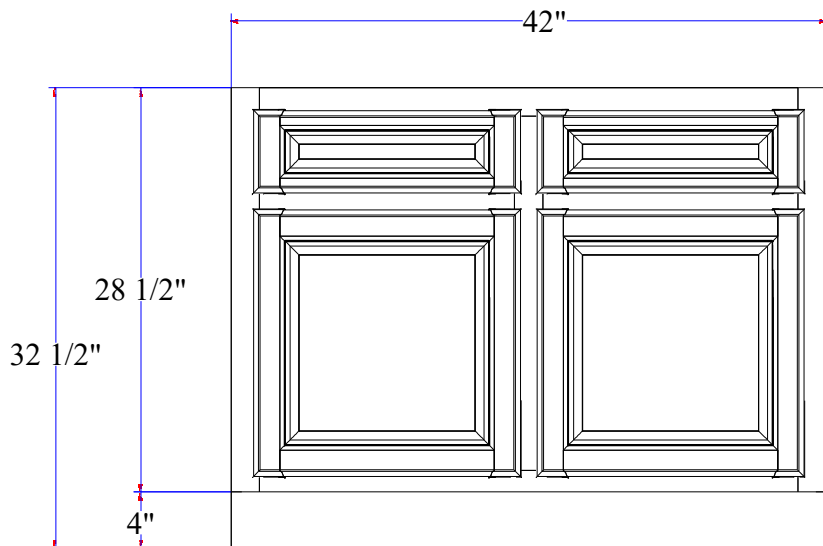
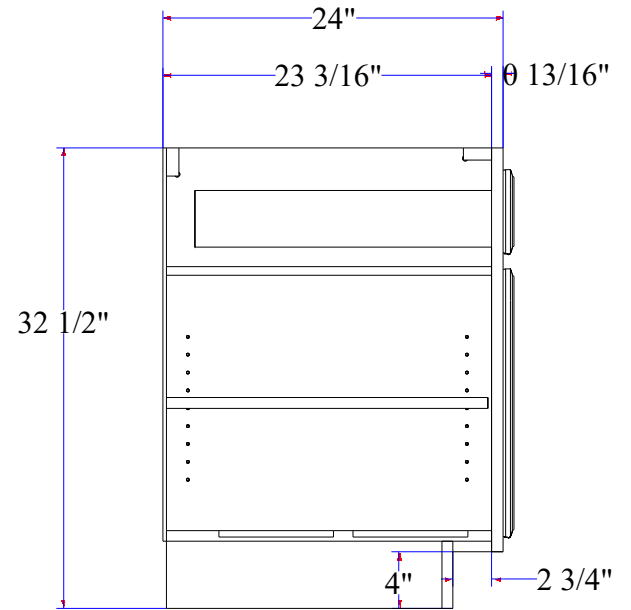


# Housekeeping



# Typ. Houskeeping Unit Base

|                        |                             |
|------------------------|-----------------------------|
| Cabinet Box Material   | 3/4 Radiata Pine Plywood    |
| Finished End Material  | 3/4 B-2 R/C V/C Red Oak Ply |
| Cabinet Back material  | 1/4" MDF                    |
| Drawer Box Material    | 1/2" Baltic Birch Plywood   |
| Drawer Bottom Material | 1/4" MDF                    |
| Face Frame Material    | 4/4 FAS Red Oak             |
| Door Material          | 4/4 FAS Red Oak             |
| Door Hinges            | Salice C2R9A99              |
| Drawer Slides          | Harn 2030 3/4 Extension     |
|                        |                             |



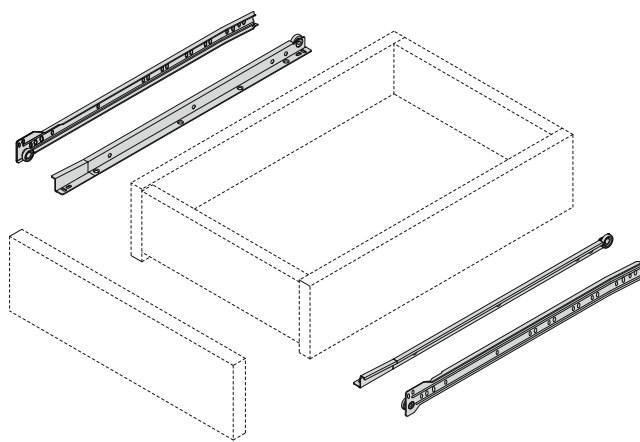
# BASIC

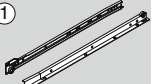
## 2030 Drawer Runners - Single Extension

BASIC



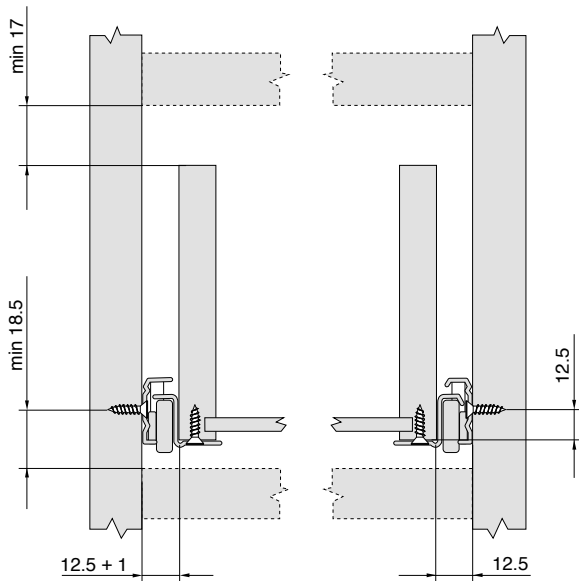
- Single extension
- Bottom mounted drawer profiles
- Epoxy coated
- Load capacity of 30kg
- Self closing feature
- Smooth rolling mechanism
- Double out-stop safety feature
- Locked-in position when fully extended



| ①  | Basic Drawer Runners<br>Left / Right : |
|--|--|
| Runner Length  |  |
| 250mm  | 2030.25.XX                             |
| 270mm  | 2030.27.XX                             |
| 300mm  | 2030.30.XX                             |
| 350mm  | 2030.35.XX                             |
| 400mm  | 2030.40.XX                             |
| 450mm  | 2030.45.XX                             |
| 500mm  | 2030.50.XX                             |
| 550mm  | 2030.55.XX                             |
| 600mm  | 2030.60.XX                             |
| 650mm  | 2030.65.XX                             |
| 700mm  | 2030.70.XX                             |

Colour Code XX  
Standard : 01 – R9010 White  
Available upon Request : 21-R7004 Grey 12-R9005 Black 11-R8017 Brown

## Space Requirements and Installation Dimensions



### Cabinet Profile Screw Positions

### Drawer Dimensions

Runner Length

Min. internal cabinet depth = Runner length + 3 mm

250mm

270mm

300mm

350mm

400mm

450mm

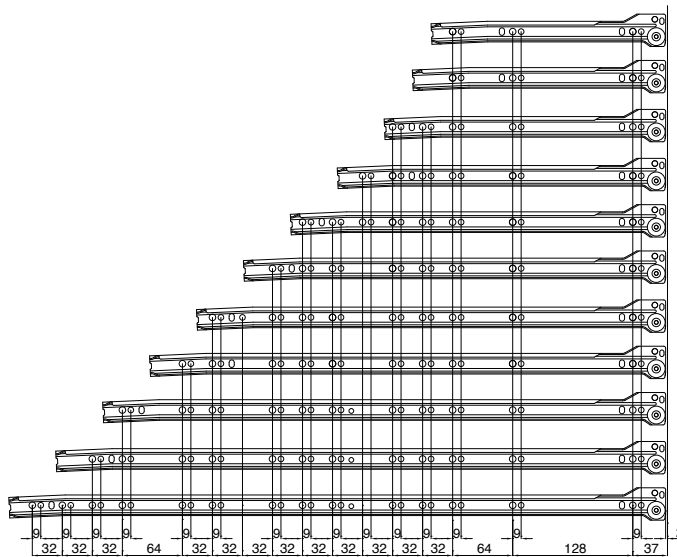
500mm

550mm

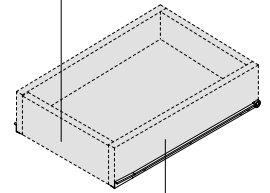
600mm

650mm

700mm

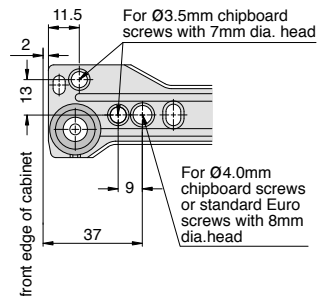


Drawer width = internal cabinet width - 25mm



Drawer length = runner length

### Drilling pattern for cabinet member





# MEI-CHARLTON, INC.

2233 SW Canyon Road  
Portland, OR 97201-2499

503-228-9663  
Fax: 503-228-4065  
E-mail: meic@meic.com  
Internet: http://www.meic.com

ENGINEERS and SCIENTISTS solving problems through APPLIED RESEARCH, CONSULTING ENGINEERING and CHEMISTRY

TO: Harn, Aksesori Setia Sdn. Bhd.  
Attention: Lam Harn Liam  
Plot 32 Lengkok Rishah 1,  
Kawasan Perindustrian Silibin,  
30100 Ipoh Perak, Malaysia

CLIENT NO.:

REFERENCE NO.: 6802011B

DATE: 22 Aug 2002

SUBJECT: 500MM DRAWER SLIDES, PART NO. 2030;  
PERFORMANCE TESTING PER BHMA A156.9,  
GRADE 1; SAMPLES RECEIVED 1 AUGUST 2002

## PERFORMANCE CERTIFICATE

|                    |   |
|--------------------|---|
| Standard:          | ANSI/BHMA A156.9, Section 4.11, Grade 1 |
| Manufacturer:      | Harn, Aksesori Setia Sdn. Bhd.          |
| Slide Part Number: | 2030 (500mm)                            |
| Load Rating:       | 100 lbs.                                |
| Edge Load Rating:  | 75 lbs.                                 |
| Result of Test:    | PASS                                    |

You asked MEI-Charlton, Inc. to test your 500mm drawer slides, Part No. 2030, per ANSI/BHMA A156.9, Section 4.11, Grade 1. The slides were tested with a load of 100 pounds. They passed the requirements of the BHMA tests.

The results of our tests are as follows:

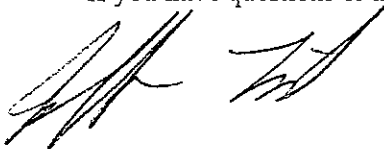
1. The slides passed the Product Grade 1 requirements of ANSI/BHMA A156.9, Section 4.11.
  - 1.1 The slides passed the out stop requirements of Section 4.11.2.
    - 1.1.1 The test drawer was opened with a pull force of 4 pounds (two times the drawer opening force) at a rate not exceeding 12 inches/second. The out stops held.
    - 1.1.2 A pull force of 20 pounds (10 times the drawer opening force) was applied to the fully open test drawer. The out stops held.

TO: Harn, Aksesori Setia Sdn. Bhd.  
SUBJECT: 500MM DRAWER SLIDES, PART NO. 2030, REC'D 1 AUG 02  
REF. NO.: 6802011B

PAGE: 2

- 1.2 The slides passed the requirements of Section 4.11.3.
  - 1.2.1 The drawer slides permitted complete drawer removal.
  - 1.2.2 Abnormal placement of the load did not cause the slides to be removed or partially removed from their suspended position.
- 1.3 The slides passed the cycling requirements of Sections 4.11.4 and 4.11.6.
  - 1.3.1 The test drawer remained operable after completing 50,000 cycles. Each cycle consisted of opening the test drawer from fully closed to at least two-thirds of total travel to the out stop and back.
- 1.4 The slides passed the edge loading requirements of Sections 4.11.5 and 4.11.7.
  - 1.4.1 The test drawer withstood an edge load of 75 pounds without collapsing. After the cycle test, the test drawer was opened to one-half of total travel to the out stop and the edge load applied normal to the drawer bottom and on the center line of the drawer front for 1 minute.

If you have questions or need further information, please contact us.



Jeff R. Link  
Senior Engineering Technician

Ralph A. Hudson, PE  
Account Director

RAH:sas  
3 copies



2233 SW Canyon Road  
Portland, OR 97201-2490





**Lifetime Warranty**

Manufactured By  
Arturo Salice S.p.A.  
Como, Italy

Only  
**Made in Italy**  
Since 1926

[www.saliceamerica.com](http://www.saliceamerica.com)

### General Description

Grade 2, concealed cabinet and furniture hinge.  
Four pivot points with an opening angle of 110 degree.  
Self Closing, galvanized spring.  
All steel construction. Nickel or Titanium plated.  
Corrosion resistant.  
Self-lubricating.  
Fully adjustable by mechanical means.  
Compatible with all Salice series 200, mounting plates.  
Available as self close, soft close, free swing or Push to open.

\* See additional cut sheets for soft close hinge specifications.

### Applications

Suitable for commercial and institutional case work, office furniture and residential cabinetry.

Use where 110-degree opening is desired. Low profile provides minimum protrusion into the cabinet interior.

Available for full overlay, partial overlay and Inset applications.

Maximum door thickness: 15/16" (24mm)  
Minimum door thickness: 1/2" (12.7mm)  
Hinge cup depth: 7/16" (11mm)  
Maximum door overlay: 7/8" (22mm)

## Certifications: ANSI/BHMA, ISO9001, ISO14001

### ANSI/BHMA

A.156.9-944.2  
Sections: 4.2 Hinge set test.  
Sections: 4.3 Operating life cycle  
Sections: 4.4 Closing and extension

[www.buildershardware.com](http://www.buildershardware.com)  
[www.ansi.org](http://www.ansi.org)



### ARCAT Specification

Section 06 41 20  
Cabinet/Drawer Hardware  
[www.arcata.com](http://www.arcata.com)



### ISO9001



### ISO14001



### Environmental Responsibility

Arturo Salice S.p.A. continually takes steps to insure our activities result in a positive impact on the environment. All Salice products exceed all international standards for environmental responsibility in the manufacturing process.

### Buy American Act

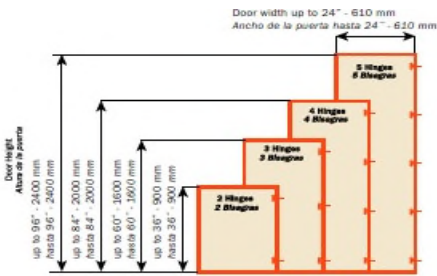
Salice America meets all requirements to be in compliance with the Buy American Act. Title 41: 41 U.S.C. §§ 8301-8305.



### Consumer Product Safety Improvement Act 2008

All products manufactured by Arturo Salice S.P.A. are in compliance with consumer safety for lead content pursuant to CPSIA Title 1 Section 101.

## Number of hinges required based on door size and weight



- 2 hinges:** Doors up to 36 inches (900 mm) high, up to 24 inches (610 mm) wide, 20 lbs or less (9 kg).
- 3 hinges:** Doors up to 60 inches (1600 mm) high, up to 24 inches (610 mm) wide, 40 lbs or less (14 kg).
- 4 hinges:** Doors up to 84 inches (2000 mm) high, up to 24 inches (610 mm) wide, 60 lbs or less (27 kg).
- 5 hinges:** Doors up to 96 inches (2400 mm) high, up to 24 inches (610 mm) wide, 60 lbs or less (27 kg)

\* Please contact Salice America for doors beyond these specifications.

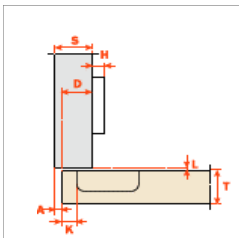
### Item codes

- C2\_6A99 110 Degree, Self Close, Full Overlay
- C2\_4A99 110 Degree, Free Swing, Full Overlay
- C2\_PA99 110 Degree, Push (Self Open), Full overlay
- C2\_6D99 110 Degree, Self Close, 1/2" Overlay
- C2\_4D99 110 Degree, Free Swing, 1/2" Overlay
- C2\_PD99 110 Degree, Push (Self Open), 1/2" overlay
- C2\_6G99 110 Degree, Self Close, Half Overlay
- C2\_4G99 110 Degree, Free Swing, Half Overlay
- C2\_PG99 110 Degree, Push (Self Open), Half Overlay
- C2\_6P99 110 Degree, Self Close, Inset
- C2\_4P99 110 Degree, Free Swing, Inset
- C2\_PP99 110 Degree, Push (Self Open), Inset

"Space" \_ Indicates fastening method. Fabricators choice.

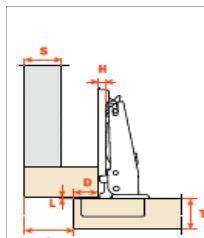
### Calculating overlay using Series 200 hinges

#### Full Overlay Door



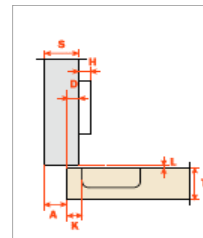
$$D = (15+K)-H$$

#### 1/2" Overlay



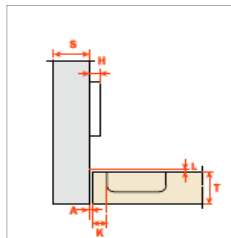
$$D = (10+K)-H$$

#### Half Overlay Door



$$D = (6+K)-H$$

#### Inset Door



$$D = (-2+K)-H$$

Salice America Inc.

2123 Crown Centre Dr. Charlotte, NC 28227

800.222.9652

# LAWGIBB GROUP

January 29, 1997

Mr. Stefano Salice  
SALICE America, Inc.  
2123 Crown Centre Drive  
Charlotte, North Carolina 28227

Subject: **Report of Laboratory Testing on Cabinet Hardware  
SALICE America, Inc.  
LAW Project 30160-5-0691 (AS 1317)**

Dear Mr. Salice:

As authorized by your acceptance of our Work Authorization Sheet dated January 14, 1997, Law Engineering and Environmental Services, Inc. is pleased to submit the results of the following test. Samples were submitted to our laboratory on January 14, 1997.

Product Tested: **SALICE Model C2R9A99/BARGE09/16 Frameless Hinges**

Test Specifications: **ANSI/BHMA A156.9-94**  
Section 4.2 Hinge Permanent Set Test  
Section 4.3 Hinge Operating Life Test  
Section 4.4 Self Closing Hinge Test and Over Opening Test

Test Requirements: **Hinge Permanent Set** - Open the door 5 degrees with no load applied and measure the vertical position of the door. Apply a load of 75 lbs. to the door and slowly open 90 degrees and then close. Remove the test load and measure the door position. The door must not move more than .060" (1.52 mm) to achieve a Grade 2.

**Hinge Operating Life** - A door weighing 12 lbs. is mounted to a structure and a vertical measurement is taken with the door opened at 5 degrees. Open to 90 degrees and shut to the completely closed position for 50,000 cycles. The door must fully function after the test and the vertical sag shall not be greater than 0.030" (0.76 mm) to achieve a Grade 2.

**Self Closing Hinge** - At the start of the operating life test two hinges mounted to the test door shall produce a minimum closing force when the door is in the closed position of 4 ozs. (1.1N). After the operating life test the same hinges shall be adequate to hold the door closed and be able to close the door from no less than 10 degrees from the fully closed position.

LAW Engineering and Environmental Services, Inc.  
2801 York Road, Suite 100, Charlotte, NC 28204  
704-357-8600 • Fax: 704-357-8638

*Serving the Charlotte area of over 50 years*

*SALICE America, Inc.  
LAW. Project 30160-5-0691*

*January 29, 1997*

**Over Opening** - Open the door to the fully open position. Apply a force in the opening direction at a point 12" (305mm) out from the inside edge and halfway down the length of the door. Apply the force increasingly at a constant rate up to the required value of 17 lbs. for a grade 2 frameless hinge and then release. The hinges shall then be fully functional, and hold the door in a closed position. The hinges shall cause the door to automatically close from a minimum of a 10 degree open position while the door is being moved slowly toward the closed position.

The results of these tests are tabulated on the attached "Summary of Laboratory Testing" sheet.

We appreciate the opportunity to be of service to you with this project. If you should have any questions concerning this report, please do not hesitate to contact this office at (704) 357-8600.

Sincerely,

**LAW ENGINEERING AND ENVIRONMENTAL SERVICES, INC.**

James H. Alexander, C.E.T.  
Materials Laboratory Technologist

Steven E. Lawing  
Laboratory Services Supervisor

JHA/SEL:sdk

**SUMMARY OF LABORATORY TESTING**

**SALICE America, Inc.**  
**Law Engineering and Environmental**  
**Services, Inc. Project 30160-5-0691**

**SALICE America, Inc. Model C2R9A99/BARGE09/16**

| <b>Test</b>               | <b>Load</b>                 | <b>Result</b> | <b>Comment</b>   |
|---------------------------|-----------------------------|---------------|--|
| Permanent Set<br>Grade 2  | 75 lbs.                     | <b>PASS</b>   | Vertical Sag: 0.017" (0.432 mm)  |
| Operating Life<br>Grade 2 | 12 lbs. @<br>200,000 cycles | <b>PASS</b>   | Exceeds cycle requirement by 150,000<br>Vertical Sag: 0.017" (.432 mm)                         |
| Self Closing Test         |                             | <b>PASS</b>   | Force required at beginning 8.2 oz.<br>Force required at end 5.4 oz.                           |
| Over Opening Test         | 17 lbs.                     | <b>PASS</b>   | Hinges remained fully functional and<br>caused the door to close automatically<br>as required. |



# ARAUCOPLY™

MORE THAN JUST A PRETTY FACE



## Premium Sanded, Beaded and Siding products

*ARAUCOPLY offers the best solution in wood panels, for uses that require excellent appearance and workability, combined with the natural look and comfort of real wood.*



FSC® C110612  
The mark of  
responsible forestry



**ARAUCO.**

With its high-quality faces and stable composed-core construction, ARAUCOPLY offers a mix of Sanded, Beaded and Siding plywood that delivers the flatness and stability needed for casework, underlayment, coffered ceilings and other high-performance applications, inside and outside. All our panels are made from certified, sustainable plantation-grown pine, so they perform right for the environment as well.

## Sanded Panels

### Product Features

- 100% Radiata Pine
- Stable composed core with minimum voids
- High quality solid face
- Ideal for interior and exterior applications
- Pre-sanded and ready to finish
- Allows a variety of finishes
- 7 Ply 23/32" construction enhances stability

### A Grades

- No more than 6 wood patches
- No more than 6 synthetic repairs

### B Grades

- Limited wood patches
- No more than 8 synthetic repairs

### Cp Grades

- All type of repairs are accepted
- Open defects are not accepted

### Applications

- Staircases
- Table and counter tops
- Base panel for high-pressure lamination
- General industrial applications
- Cabinets and furniture
- Underlayment
- General DIY projects

| Available Thicknesses |                          |
|-----------------------|--------------------------|
| In 48"x96"            | 1/4" - 11/32" - 15/32"   |
|                       | 19/32" - 23/32" - 31/32" |

## Beaded Panels

### Product Features

- 100% Radiata Pine
- Stable composed core
- Ideal for interior and exterior applications
- Pre-sanded and ready to finish
- Available in shiplap and square-edge
- 2" OC beaded pattern
- 150 grit sanded

### Natural Bead

- Clear face
- No wood patches
- No synthetic repairs
- Ideal for staining

### Star Bead

- No more than 6 wood patches
- No synthetic face repairs
- Perfect for painting

### Applications

- Wainscoting
- Decorative paneling for interior
- Exterior Porch Ceilings
- Soffits
- Cabinets
- Furniture

| Available Thicknesses |        |
|-----------------------|--------|
| In 48"x96"            | 11/32" |

## Siding Panels

### Product Features

- 100% Radiata Pine
- Composed core
- Less resinous face
- Uniform light color
- Easily accepts paints and stains
- Rough sawn surface texture
- Available in: shiplap and square-edge

### Premium Siding

- No more than 6 wood patches
- No synthetic repairs

### Siding

- Limited wood patches
- No more than 8 synthetic face repairs

### Applications

- Siding

| Available Thicknesses |                          |
|-----------------------|--------------------------|
| In 48"x96"            | 11/32" - 15/32" - 19/32" |
| In 48"x108"           | 19/32"                   |



# ARAUCOPLY™

**SUPERIOR APPEARANCE**  
Produced with pruned logs

**STABLE COMPOSED CORE**  
Minimal core voids

**150 GRIT**  
Smooth finish

PS 1-09

ISO 14001

OHSAS 18001

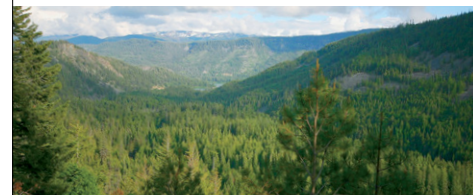
ANSI/APA PRP 210-2008

FSC®



### ARAUCO

5901B Peachtree Dunwoody, Rd. NE, Suite 500  
Atlanta, GA 30328  
Phone: 770-350-1634 / 770-350-1644  
marketing@arauco-na.com



## ARAUCO






For more than 45 years, ARAUCO has been driven forward by its vision of being a global leader in the development of sustainable forest products, which has allowed us to become one of the largest and most respected forestry companies in the world.

ARAUCO's success is based on satisfying our customers with quality products and services while balancing the company's needs with those of our employees, the environment, and the people who live near our facilities and plantations. This is the starting point for the responsible and efficient management of our natural resources, the occupational health and safety of our workers and our active contribution to social development and welfare in the communities in which we operate.

All ARAUCO-branded products sold in North America originate in sustainably managed plantation forests in Chile, Brazil, Argentina, and Uruguay. No native forest wood or genetically modified trees are used to produce any ARAUCO product.



### ARAUCOPLY Grooving Options

| Model  | Grooving Options | Profile   | Finishing              |                   |
|--------|------------------|---|------------------------|-------------------|
| Siding | Deep Groove      |  | 4" OC, 8" OC<br>12" OC | Rough Sawn Sanded |
|        | Shallow Groove   |  | 4", 8" OC              | Rough Sawn Sanded |
|        | No Groove        |  | N/A                    | Rough Sawn        |
| Beaded | W - Groove       |  | 2" OC                  | Sanded            |
|        | V - Groove       |  | 4" OC                  | Sanded            |





---

## TITEBOND ORIGINAL WOOD GLUE

Titebond Original Wood Glue is the industry standard for woodworking. It provides a strong initial tack and fast speed of set to reduce clamp time. It also develops a bond stronger than the wood itself, offers excellent sandability and is unaffected by finishes. Titebond Original can help any woodworker achieve professional-looking results. It is ideal for wood, hardboard, particleboard, leather, cloth and most other porous materials. Titebond Original is easy to use, non-toxic and cleans up with water.



### Features & Benefits

---

- Fast set - Shortens clamp time
- Bonds stronger than wood
- Solvent-resistant
- Excellent sandability
- Unaffected by finishes
- Easy cleanup with water
- FDA approved for indirect food contact

### SPECIFICATIONS

---

CONFORMS TO ASTM D-4236

## SECTION 1: IDENTIFICATION

### Product Identifier

**Product Name:** Hardwood Plywood

**Synonyms:** Hardwood plywood, plywood paneling, plywood

### Intended Use of the Product

Construction Material

### Name, Address, and Telephone of the Responsible Party

#### **Company**

Timber Products Company  
305 South 4th Street  
Springfield, OR 97477

#### **Manufacturer**

Timber Products Company  
25 East McAndrews Road  
Medford, OR 97501

T 541-747-4577

T 541-773-6681

### Emergency Telephone Number

**Emergency Number** : 1-800-424-9300

For Chemical Emergency, Spill, Leak, Fire, Exposure, or Accident, call CHEMTREC – Day or Night

## SECTION 2: HAZARDS IDENTIFICATION

### Classification of the Substance or Mixture

#### **Classification (GHS-US)**

Comb. Dust H232

Carc. 1A H350

Full text of H-phrases: see section 16

### Label Elements

#### **GHS-US Labeling**

**Hazard Pictograms (GHS-US)** :



GHS08

**Signal Word (GHS-US)** :

Danger

**Hazard Statements (GHS-US)** :

H232 - May form combustible dust concentrations in air.  
H350 - May cause cancer.

**Precautionary Statements (GHS-US)** :

P201 - Obtain special instructions before use.  
P202 - Do not handle until all safety precautions have been read and understood.  
P280 - Wear eye protection, protective clothing, protective gloves, respiratory protection.  
P308+P313 - If exposed or concerned: Get medical advice/attention.  
P405 – Store locked up.  
P501 - Dispose of contents/container in accordance with local, regional, national, and international regulations.

### Other Hazards

Dust generated from material cutting may cause a slight irritation. Slivers may be generated, which could cause mechanical irritation or injure the eye. Product itself is not explosive but if dust is generated, dust clouds suspended in air can be explosive.

**Unknown Acute Toxicity (GHS-US)** Not available

## SECTION 3: COMPOSITION/INFORMATION ON INGREDIENTS

### Mixture

| Name                               | Product Identifier  | % (w/w) |
|------------------------------------|---------------------|---------|
| Wood dust, all soft and hard woods | (CAS No) RR-00514-1 | 96 - 99 |



# Hardwood Plywood

## Safety Data Sheet

According To Federal Register / Vol. 77, No. 58 / Monday, March 26, 2012 / Rules And Regulations

|                        |             |     |
|------------------------|-------------|-----|
| UF or NAUF (Soy) Resin | (CAS No) NA | 1-3 |
|------------------------|-------------|-----|

Full text of H-phrases: see section 16

### SECTION 4: FIRST AID MEASURES

#### Description of First Aid Measures

**General:** Never give anything by mouth to an unconscious person. If you feel unwell, seek medical advice (show the label where possible).

**Inhalation:** When symptoms occur: go into open air and ventilate suspected area. Call a POISON CENTER/doctor/physician if you feel unwell.

**Skin Contact:** Brush off loose particles from skin.

**Eye Contact:** Rinse cautiously with water for several minutes. Remove contact lenses, if present and easy to do. Continue rinsing. Do not rub. Obtain medical attention if irritation develops or persists.

**Ingestion:** Rinse mouth. Do NOT induce vomiting.

#### Most Important Symptoms and Effects Both Acute and Delayed

**General:** May cause damage to organs through prolonged or repeated exposure. May cause cancer. May cause an allergic reaction in sensitive individuals.

**Inhalation:** May cause allergy or asthma symptoms or breathing difficulties if inhaled. May cause cancer by inhalation. Inhalation of material being cut may cause respiratory irritation or other harmful effects.

**Skin Contact:** Prolonged contact with large amounts of dust may cause mechanical irritation. Exposure may produce an allergic reaction.

**Eye Contact:** Dust generated from material cutting may cause a slight irritation. Slivers may be generated, which could cause mechanical irritation or injure the eye.

**Ingestion:** Gastrointestinal irritation.

**Chronic Symptoms:** Repeated or prolonged inhalation may damage lungs. May cause cancer by inhalation.

#### Indication of Any Immediate Medical Attention and Special Treatment Needed

If you feel unwell, seek medical advice (show the label where possible).

### SECTION 5: FIRE-FIGHTING MEASURES

#### Extinguishing Media

**Suitable Extinguishing Media:** Use extinguishing media appropriate for surrounding fire.

**Unsuitable Extinguishing Media:** Do not use a heavy water stream. Use of heavy stream of water may spread fire.

#### Special Hazards Arising From the Substance or Mixture

**Fire Hazard:** The following applies to the product if it is cut, sanded or altered in such a way that excessive and/or significant particulates and/or dusts may be generated: Combustible Dust.

**Explosion Hazard:** Dust clouds can be explosive.

**Reactivity:** Stable at ambient temperature and under normal conditions of use.

#### Advice for Firefighters

**Precautionary Measures Fire:** Fight fire with normal precautions from a reasonable distance.

**Firefighting Instructions:** Use water spray or fog for cooling exposed containers.

**Protection During Firefighting:** Do not enter fire area without proper protective equipment, including respiratory protection.

**Hazardous Combustion Products:** Carbon oxides (CO, CO<sub>2</sub>).

#### Reference to Other Sections

Refer to section 9 for flammability properties.

### SECTION 6: ACCIDENTAL RELEASE MEASURES

#### Personal Precautions, Protective Equipment and Emergency Procedures

**General Measures:** Avoid all contact with skin, eyes, or clothing. Do not breathe dust. Avoid generating dust. Ensure adequate ventilation.

#### For Non-Emergency Personnel

**Protective Equipment:** Use appropriate personal protection equipment (PPE).

**Emergency Procedures:** Evacuate danger area. Eliminate ignition sources.

#### For Emergency Personnel

**Protective Equipment:** Equip cleanup crew with proper protection.

# Hardwood Plywood

## Safety Data Sheet

According To Federal Register / Vol. 77, No. 58 / Monday, March 26, 2012 / Rules And Regulations

**Emergency Procedures:** Eliminate ignition sources. Ventilate area. If possible, stop flow of product.

**Environmental Precautions** Not available

### **Methods and Material for Containment and Cleaning Up**

**For Containment:** Avoid generation of dust during clean-up of spills. Use only non-sparking tools.

**Methods for Cleaning Up:** Clean up spills immediately and dispose of waste safely.

### **Reference to Other Sections**

See heading 8, Exposure Controls and Personal Protection.

## SECTION 7: HANDLING AND STORAGE

### **Precautions for Safe Handling**

**Additional Hazards When Processed:** Dust deposits should not be allowed to accumulate on surfaces, as these may form an explosive mixture if they are released into the atmosphere in sufficient concentration.

**Precautions for Safe Handling:** When dry sawing or grinding, use dustless systems for handling, storage, and clean up so that airborne dust does not exceed the PEL. Use adequate ventilation and dust equipment. Practice good housekeeping. Do not permit dust to collect on walls, floors, sills, ledges, machinery, or equipment. Maintain, clean, and fit test respirators in accordance with OSHA regulations. Maintain and test ventilation and dust collection equipment. Wash or vacuum clothing which has become dusty.

**Hygiene Measures:** Handle in accordance with good industrial hygiene and safety procedures. Wash hands and other exposed areas with mild soap and water before eating, drinking, or smoking and again when leaving work.

### **Conditions for Safe Storage, Including Any Incompatibilities**

**Storage Conditions:** Store in a dry area.

**Incompatible Materials:** Strong acids. Strong bases. Strong oxidizers.

**Storage Area:** Store in a dry area.

### **Specific End Use(s)**

Construction Material

## SECTION 8: EXPOSURE CONTROLS/PERSONAL PROTECTION

### **Control Parameters**

For substances listed in section 3 that are not listed here, there are no established Exposure limits from the manufacturer, supplier, importer, or the appropriate advisory agency including: ACGIH (TLV), NIOSH (REL), OSHA (PEL), Canadian provincial governments, or the Mexican government

| <b>Hardwood Plywood</b>                                |                                      |   |
|--|--------------------------------------|---|
| <b>USA OSHA</b>  | OSHA PEL (TWA) (mg/m <sup>3</sup> )  | 15 mg/m <sup>3</sup> (total) or 5 mg/m <sup>3</sup> (resp)  |
| <b>USA NIOSH</b>                                       | NIOSH REL (TWA) (mg/m <sup>3</sup> ) | 1 mg/m <sup>3</sup>   |
| <b>Wood dust, all soft and hard woods (RR-00514-1)</b> |                                      |   |
| <b>USA NIOSH</b>                                       | NIOSH REL (TWA) (mg/m <sup>3</sup> ) | 1 mg/m <sup>3</sup>   |
| <b>Alberta</b>   | OEL TWA (mg/m <sup>3</sup> )         | 5 mg/m <sup>3</sup> (total)   |
| <b>Nunavut</b>   | OEL STEL (mg/m <sup>3</sup> )        | 10 mg/m <sup>3</sup>  |
| <b>Nunavut</b>   | OEL TWA (mg/m <sup>3</sup> )         | 5 mg/m <sup>3</sup>   |
| <b>Northwest Territories</b>                           | OEL STEL (mg/m <sup>3</sup> )        | 10 mg/m <sup>3</sup>  |
| <b>Northwest Territories</b>                           | OEL TWA (mg/m <sup>3</sup> )         | 5 mg/m <sup>3</sup>   |
| <b>Québec</b>  | VEMP (mg/m <sup>3</sup> )            | 5 mg/m <sup>3</sup> (except red cedar, containing no Asbestos and <1% Crystalline silica-total dust)        |
| <b>Yukon</b>   | OEL STEL (mg/m <sup>3</sup> )        | 10 mg/m <sup>3</sup> (non-allergenic)<br>5 mg/m <sup>3</sup> (allergenic, including cedar, mahogany, teak)  |
| <b>Yukon</b>   | OEL TWA (mg/m <sup>3</sup> )         | 5 mg/m <sup>3</sup> (non-allergenic)<br>2.5 mg/m <sup>3</sup> (allergenic, including cedar, mahogany, teak) |
| <b>Yukon</b>   | OEL STEL (mg/m <sup>3</sup> )        | 310 mg/m <sup>3</sup>   |
| <b>Yukon</b>   | OEL STEL (ppm)                       | 250 ppm   |
| <b>Yukon</b>   | OEL TWA (mg/m <sup>3</sup> )         | 260 mg/m <sup>3</sup>   |
| <b>Yukon</b>   | OEL TWA (ppm)                        | 200 ppm   |

# Hardwood Plywood

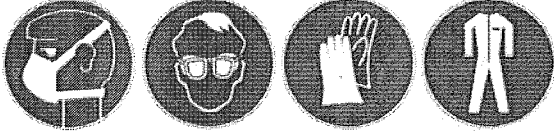
## Safety Data Sheet

According To Federal Register / Vol. 77, No. 58 / Monday, March 26, 2012 / Rules And Regulations

### Exposure Controls

**Appropriate Engineering Controls:** Ensure all national/local regulations are observed. Proper grounding procedures to avoid static electricity should be followed. Use explosion-proof equipment. Provide adequate ventilation to minimize dust concentrations.

**Personal Protective Equipment:** Dust formation: dust mask. In case of dust production: protective goggles. Gloves. Protective clothing.



**Materials for Protective Clothing: Not available**

**Hand Protection:** Cloth gloves.

**Eye Protection:** In case of dust production: protective goggles.

**Skin and Body Protection:** Wear suitable protective clothing. Wash contaminated clothing before reuse.

**Respiratory Protection:** Use NIOSH-approved air-purifying or supplied-air respirator where airborne concentrations of dust are expected to exceed exposure limits.

**Other Information:** When using, do not eat, drink or smoke.

## SECTION 9: PHYSICAL AND CHEMICAL PROPERTIES

### Information on Basic Physical and Chemical Properties

|   |  |
|---|--|
| Physical State                                    | : Solid  |
| Appearance  | : Not available  |
| Odor  | : Slight wood odor   |
| Odor Threshold                                    | : Not available  |
| pH  | : Not available  |
| Evaporation Rate                                  | : Not available  |
| Melting Point                                     | : Not available  |
| Freezing Point                                    | : Not available  |
| Boiling Point                                     | : Not available  |
| Flash Point                                       | : Not available  |
| Auto-ignition Temperature                         | : Not available  |
| Decomposition Temperature                         | : Not available  |
| Flammability (solid, gas)                         | : Not available  |
| Lower Flammable Limit                             | : Not available  |
| Upper Flammable Limit                             | : Not available  |
| Vapor Pressure                                    | : Not available  |
| Relative Vapor Density at 20 °C                   | : Not available  |
| Relative Density                                  | : Not available  |
| Specific Gravity                                  | : Not available  |
| Solubility  | : Insoluble.   |
| Partition Coefficient: N-Octanol/Water            | : Not available  |
| Viscosity   | : Not available  |
| Explosion Data – Sensitivity to Mechanical Impact | : Not expected to present an explosion hazard due to mechanical impact.              |
| Explosion Data – Sensitivity to Static Discharge  | : Take precautions against static discharge where there is a risk of dust explosion. |

# Hardwood Plywood

## Safety Data Sheet

According To Federal Register / Vol. 77, No. 58 / Monday, March 26, 2012 / Rules And Regulations

### SECTION 10: STABILITY AND REACTIVITY

**Reactivity:** Stable at ambient temperature and under normal conditions of use.

**Chemical Stability:** Dust clouds can be explosive.

**Possibility of Hazardous Reactions:** None under normal use.

**Conditions to Avoid:** Avoid formation of concentrated dusts suspended in air.

**Incompatible Materials:** Strong acids. Strong bases. Strong oxidizers.

**Hazardous Decomposition Products:** Carbon oxides (CO, CO<sub>2</sub>).

### SECTION 11: TOXICOLOGICAL INFORMATION

#### Information on Toxicological Effects - Product

**Acute Toxicity:** Not classified

**LD50 and LC50 Data:** Not available

| Hardwood Plywood – Wood Dust                    |                          |
|---|--------------------------|
| <b>IARC Group</b>                               | 1                        |
| <b>National Toxicology Program (NTP) Status</b> | Known Human Carcinogens. |

**Skin Corrosion/Irritation:** Not classified

**Serious Eye Damage/Irritation:** Not classified

**Respiratory or Skin Sensitization:** May cause allergy or asthma symptoms or breathing difficulties if inhaled. May cause an allergic skin reaction.

**Germ Cell Mutagenicity:** Not classified

**Teratogenicity:** Not available

**Carcinogenicity:** May cause cancer.

**Specific Target Organ Toxicity (Repeated Exposure):** Causes damage to organs through prolonged or repeated exposure.

**Reproductive Toxicity:** Not classified

**Specific Target Organ Toxicity (Single Exposure):** May cause respiratory irritation.

**Aspiration Hazard:** Not classified

**Symptoms/Injuries After Inhalation:** May cause allergy or asthma symptoms or breathing difficulties if inhaled. May cause cancer by inhalation. Inhalation of material being cut may cause respiratory irritation or other harmful effects.

**Symptoms/Injuries After Skin Contact:** Prolonged contact with large amounts of dust may cause mechanical irritation. Exposure may produce an allergic reaction.

**Symptoms/Injuries After Eye Contact:** Dust generated from material cutting may cause a slight irritation. Slivers may be generated, which could cause mechanical irritation or injure the eye.

**Symptoms/Injuries After Ingestion:** Gastrointestinal irritation.

**Chronic Symptoms:** Repeated or prolonged inhalation may damage lungs. May cause cancer by inhalation.

#### Information on Toxicological Effects - Ingredient(s)

**LD50 and LC50 Data:**

| Wood dust, all soft and hard woods (RR-00514-1)  |   |
|--|---|
| <b>IARC Group</b>                                | 1   |
| <b>National Toxicology Program (NTP) Status</b>  | Known Human Carcinogens.                      |
| <b>OSHA Hazard Communication Carcinogen List</b> | In OSHA Hazard Communication Carcinogen list. |

### SECTION 12: ECOLOGICAL INFORMATION

**Toxicity** No additional information available

#### Persistence and Degradability

| Hardwood Plywood                     |                  |
|--------------------------------------|------------------|
| <b>Persistence and Degradability</b> | Not established. |

#### Bioaccumulative Potential

| Hardwood Plywood                 |                  |
|----------------------------------|------------------|
| <b>Bioaccumulative Potential</b> | Not established. |

**Mobility in Soil** Not available

# Hardwood Plywood

## Safety Data Sheet

According To Federal Register / Vol. 77, No. 58 / Monday, March 26, 2012 / Rules And Regulations

### Other Adverse Effects

**Other Information:** Avoid release to the environment.

## SECTION 13: DISPOSAL CONSIDERATIONS

**Waste Disposal Recommendations:** Dispose of waste material in accordance with all local, regional, national, provincial, territorial and international regulations.

## SECTION 14: TRANSPORT INFORMATION

### In Accordance With ICAO/IATA/DOT/TDG

- 14.1. **UN Number** Not regulated for transport  
14.2. **UN Proper Shipping Name** Not regulated for transport  
14.3. **Additional Information** Not regulated for transport

**Transport by Sea** Not regulated for transport

**Air Transport** Not regulated for transport

## SECTION 15: REGULATORY INFORMATION

### US Federal Regulations

|                                     |   |
|-------------------------------------|---|
| <b>Hardwood Plywood</b>             |   |
| SARA Section 311/312 Hazard Classes | Fire hazard<br>Delayed (chronic) health hazard<br>Immediate (acute) health hazard |


### US State Regulations

|  |  |
|--|--|
| <b>Wood dust, all soft and hard woods (RR-00514-1)</b> |  |
| U.S. - California - Proposition 65 - Carcinogens List  | WARNING: This product contains chemicals known to the State of California to cause cancer. |

|  |  |
|--|--|
| <b>Wood dust, all soft and hard woods (RR-00514-1)</b>     |  |
| U.S. - New Jersey - Right to Know Hazardous Substance List |  |

|  |  |
|--|--|
| <b>Formaldehyde (50-00-0)</b>  |  |
| U.S. - Massachusetts - Right To Know List                                |  |
| U.S. - New Jersey - Right to Know Hazardous Substance List               |  |
| U.S. - Pennsylvania - RTK (Right to Know) - Environmental Hazard List    |  |
| U.S. - Pennsylvania - RTK (Right to Know) - Special Hazardous Substances |  |
| U.S. - Pennsylvania - RTK (Right to Know) List                           |  |

### Canadian Regulations

|   |   |
|---|---|
| <b>Hardwood Plywood</b>   |   |
| WHMIS Classification  | Class D Division 2 Subdivision A - Very toxic material causing other toxic effects<br>Class D Division 2 Subdivision B - Toxic material causing other toxic effects |
|  |   |

|  |   |
|--|---|
| <b>Wood dust, all soft and hard woods (RR-00514-1)</b> |   |
| WHMIS Classification                                   | Class D Division 2 Subdivision A - Very toxic material causing other toxic effects<br>Class D Division 2 Subdivision B - Toxic material causing other toxic effects |

This product has been classified in accordance with the hazard criteria of the Controlled Products Regulations (CPR) and the SDS contains all of the information required by CPR.

## SECTION 16: OTHER INFORMATION, INCLUDING DATE OF PREPARATION OR LAST REVISION

**Revision Date** : 11/10/2015

# Hardwood Plywood

## Safety Data Sheet

According To Federal Register / Vol. 77, No. 58 / Monday, March 26, 2012 / Rules And Regulations

### Other Information

: This document has been prepared in accordance with the SDS requirements of the OSHA Hazard Communication Standard 29 CFR 1910.1200.

### GHS Full Text Phrases:

|            |   |
|------------|---|
| Carc. 1A   | Carcinogenicity Category 1A                     |
| Comb. Dust | Combustible Dust                                |
| H232       | May form combustible dust concentrations in air |
| H350       | May cause cancer                                |

### Party Responsible for the Preparation of This Document

Timber Products Company

T 541-747-4577

*This information is based on our current knowledge and is intended to describe the product for the purposes of health, safety and environmental requirements only. It should not therefore be construed as guaranteeing any specific property of the product.*

NA GHS SDS